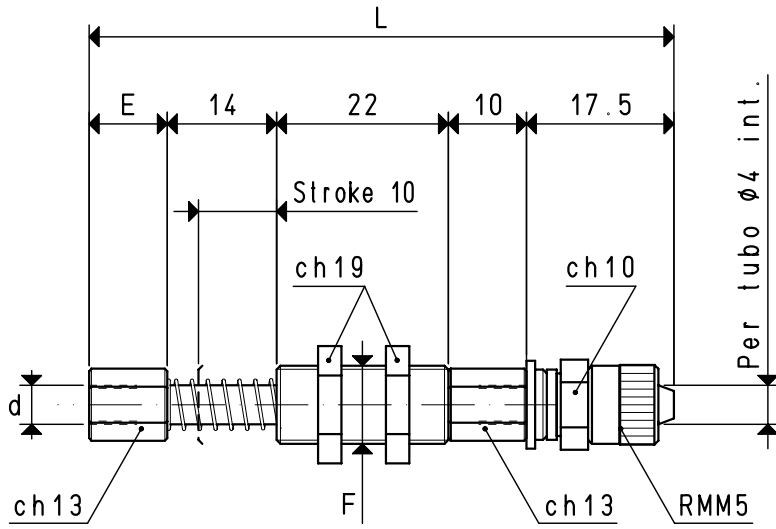
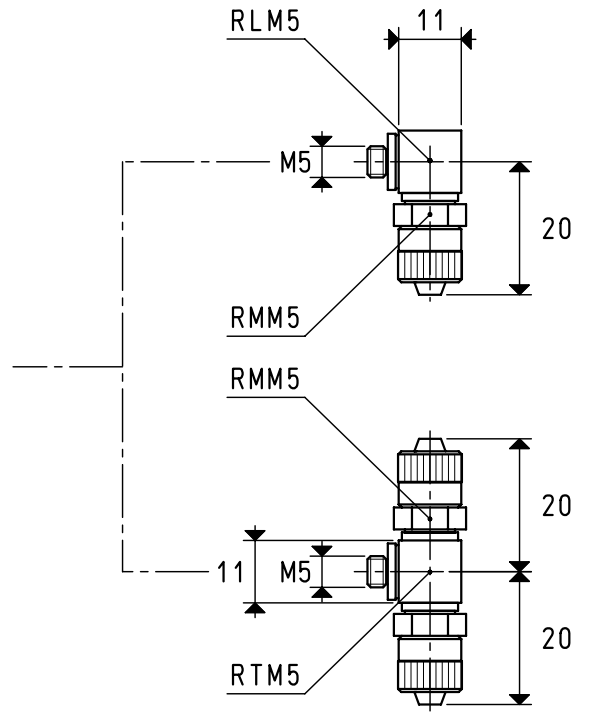


# MICRO CUP HOLDER



VERSION 20 80 05

VERSION 20 80 05 L

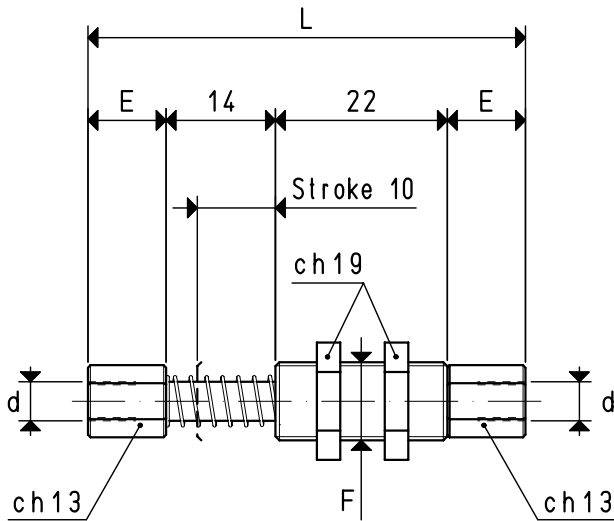


VERSION 20 80 05 T

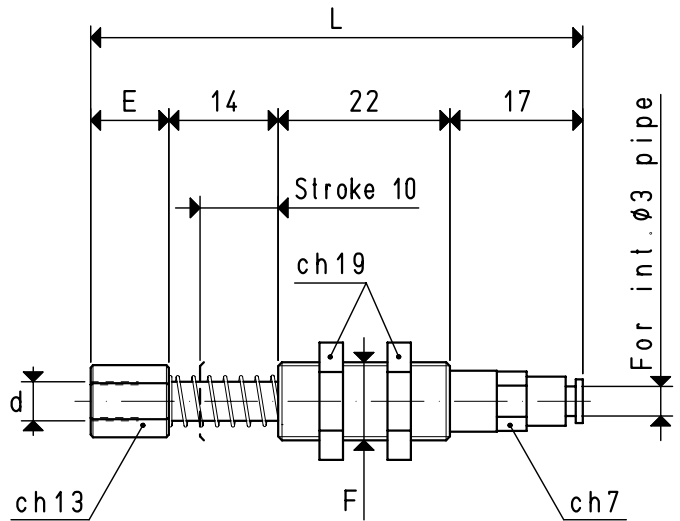
CUP HOLDERS WITH STRAIGHT QUICK COUPLER FOR PLASTIC HOSE  $\phi 4 \times 6$

Art.	d $\phi$	E	F $\phi$	L	Weight g.
20 80 05	M5	10	M10x0.75	73.5	20

NOTE: Add the letter L or T to the code to order cup holders with L or T-type fitting



VERSION 20 80 05 SR



VERSION 20 80 05 RR

Art.	d $\phi$	E	F $\phi$	L	Weight g.
20 80 05 SR	M5	10	M10x0.75	56	14
20 80 05 RR	M5	10	M10x0.75	63	16