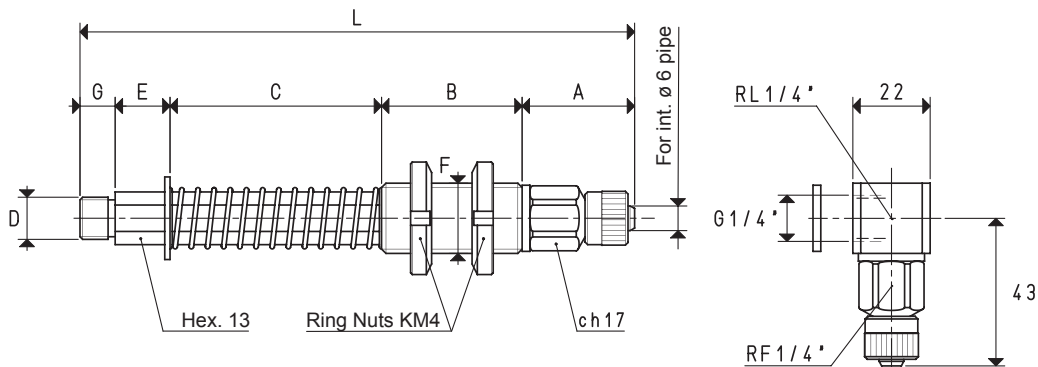


BASIC ANTI-ROTATION CUP HOLDERS

The distinctive features of these cup holders are their brass stem with hexagonal section and the steel drive bush, also with hexagonal hole. This structure prevents the stem and, as a consequence, the cup assembled onto it from rotating on its axis. The drive bush is provided with two fine thread ring nuts to guarantee an accurate fastening of the cup holder to the machine. They are suited for cups with diameters between 45 mm and 110 mm, although they have been specially designed for assembling rectangular, concave or oval cups.

The actual springing stroke is:

- For height C= 28 mm 16 mm
- For height C= 65 mm 49 mm
- For height C= 95 mm 74 mm



VERSION 02 95 ..

VERSION 02 95 .. L

CUP HOLDERS WITH STRAIGHT QUICK COUPLER FOR PLASTIC HOSE Ø 6 X 8

Art.	A	B	C	D Ø	E	F Ø	G	L	Weight g
02 95 28	32	40	28	M12	15	M20 x 1	10	125	180
02 95 65	32	40	65	M12	15	M20 x 1	10	162	225
02 95 95	32	40	95	M12	15	M20 x 1	10	192	246
02 95 28 1/4"	32	40	28	G1/4"	15	M20 x 1	10	125	181
02 95 65 1/4"	32	40	65	G1/4"	15	M20 x 1	10	162	226
02 95 95 1/4"	32	40	95	G1/4"	15	M20 x 1	10	192	247

Note Add the letter L to the code to order L-type fittings.

Conversion ratio: inch = $\frac{\text{mm}}{25.4}$; pounds = $\frac{\text{g}}{453.6}$ = $\frac{\text{Kg}}{0.4536}$