

SPECIAL CUP HOLDERS WITH PUSH VALVE



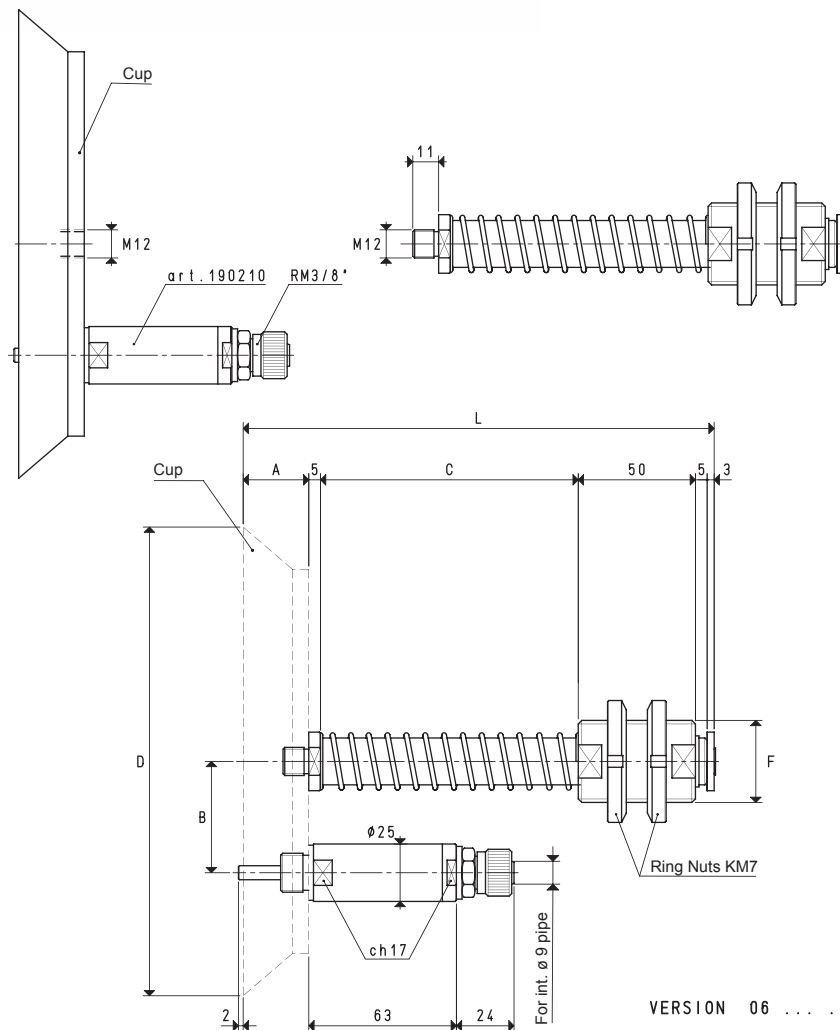
The distinctive feature of these cup holders is the push valve on the cup support, which activates suction, and therefore creates vacuum, only when the cup is in contact with the load to be lifted.

With these cup holders it is no longer necessary to install cocks on the suction hoses; for this reason, they are recommended in all those cases in which there is a chance that not all the cups come into contact with the load to be lifted (because of an uneven or incomplete load).

The same push valve can also be applied with no modification to the special articulated cup holders.

The actual springing stroke is:

- For height C= 55 mm 37 mm
- For height C= 110 mm 84 mm



VERSION 06

CUP HOLDERS WITH STRAIGHT QUICK COUPLER FOR PLASTIC HOSE Ø 9 X 12

C = 110 mm

Art.	Force Kg	A	B	*C	D Ø	F Ø	L	Cup art.	Weight Kg	Weight Kg
06 150 22	45.0	26	40.0	55	150	M35 x 1.5	144	08 150 15	1.68	1.80
06 200 20	78.5	28	47.5	55	200	M35 x 1.5	146	08 200 10	2.58	2.71
06 250 20	122.6	28	72.5	55	250	M35 x 1.5	146	08 250 10	3.84	3.97

Note: Cups are not an integral part of the cup holders, therefore, they must be ordered separately.

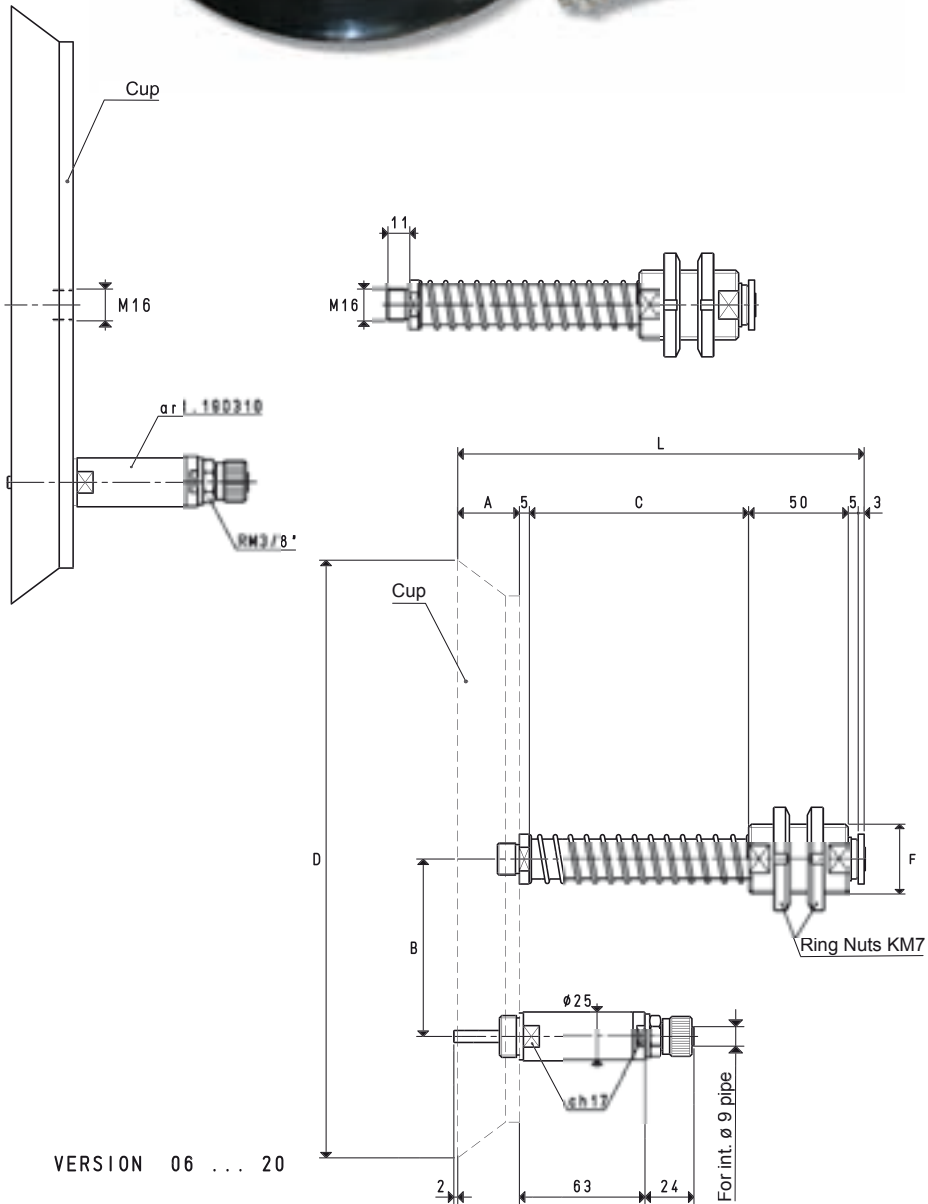
* Also available with height C of 110 mm

Conversion ratio: inch = $\frac{\text{mm}}{25.4}$; pounds = $\frac{\text{g}}{453.6} = \frac{\text{Kg}}{0.4536}$

SPECIAL CUP HOLDERS WITH PUSH VALVE

The actual springing stroke is:

- For height C= 55 mm 37 mm
- For height C= 110 mm 84 mm



CUP HOLDERS WITH STRAIGHT QUICK COUPLER FOR PLASTIC HOSE Ø 9 X 12

C = 110 mm

Art.	Force Kg	A	B	*C	D Ø	F Ø	L	Cup art.	Weight Kg	Weight Kg
06 300 20	176.6	31	89	55	300	M35 x 1.5	149	08 300 10	5.56	5.69
06 350 20	240.0	31	89	55	350	M35 x 1.5	149	08 350 10	7.42	7.55

Note: Cups are not an integral part of the cup holders, therefore, they must be ordered separately.

* Also available with height C of 110 mm