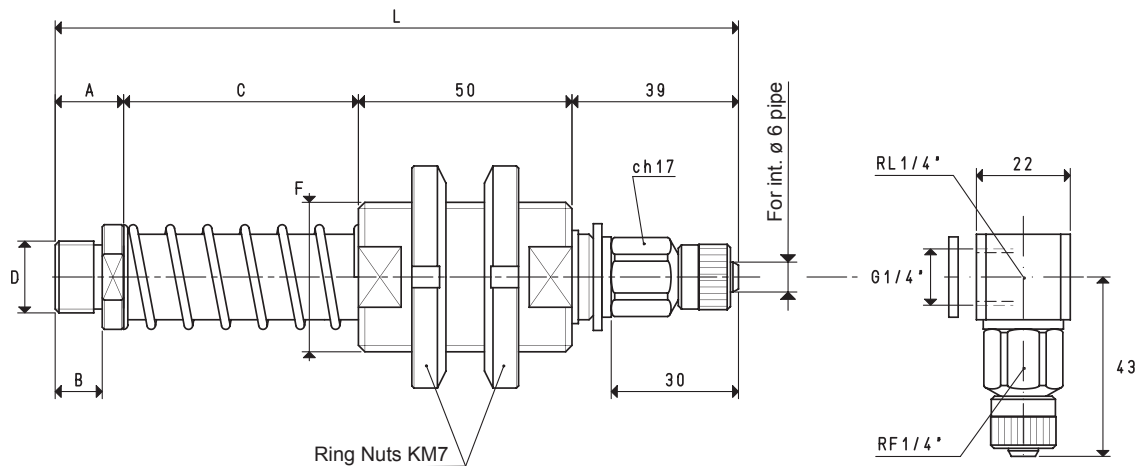


## SPECIAL CUP HOLDERS WITH BUILT-IN SHUT-OFF VALVE



Along with all the other features they share with the other basic cup holders, these have a built-in shut-off valve. The purpose of the shut-off valve is to automatically close suction when the cup is not in contact with the surface of the load to be handled or in case of a faulty grip or of considerable transpiration, thus preventing the reduction of the vacuum level on the remaining cups of the system which are regularly handling the load. The clear advantage of this system is that the positioning or the exclusion of the non-gripping cups are no longer binding. Cups with diameters between 85 mm and 150 mm can be assembled onto these cup holders, as long as they are provided with a threaded 3/8" gas female support.

The actual springing stroke is:  
 - For height C= 55 mm      37 mm  
 - For height C= 110 mm      84 mm



VERSION 06 . . . . .

VERSION 06 . . . . . L

### CUP HOLDERS WITH STRAIGHT QUICK COUPLER FOR PLASTIC HOSE Ø 6 X 8

Art.	A	B	C	D	F	L	Weight
				Ø	Ø		Kg
06 99 55	16	11	55	G3/8"	M35 x 1.5	160	0.63
06 99 110	16	11	110	G3/8"	M35 x 1.5	215	0.77

**Note:** Add the letter L to the code to order L-type fittings.

Conversion ratio: inch =  $\frac{\text{mm}}{25.4}$ ; pounds =  $\frac{\text{g}}{453.6}$  =  $\frac{\text{Kg}}{0.4536}$