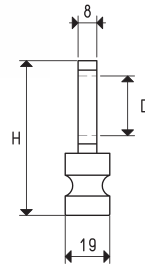
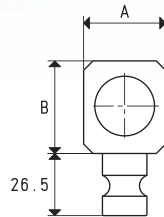


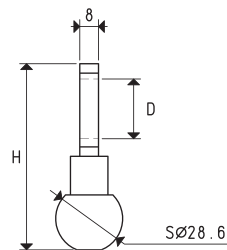
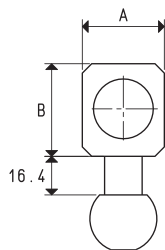
## CUP HOLDER FIXING SUPPORTS

The first two supports shown in this page are made with stainless steel and are suited for fastening the cup holder to the machine by means of a slotted cylindrical pin or a spherical pin housed in the machine. The third support, on the other hand, is made with aluminium and it is composed of two parts that, screwed together, block the spherical joint, allowing to keep the cup holder in the desired position.



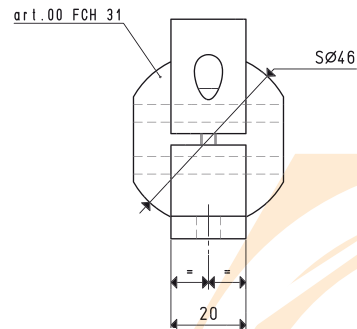
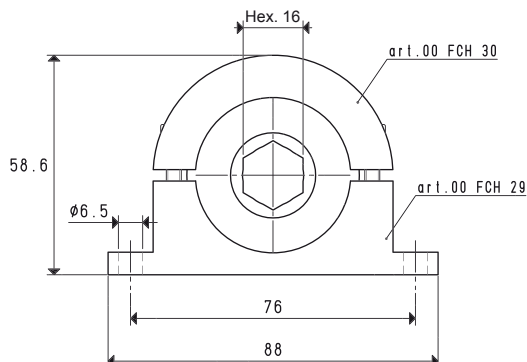
### SUPPORTS WITH SLOTTED CYLINDRICAL PIN

Art.	A	B	D	H	Cup holder	Weight
			∅			g
00 FCH 10	35	39.5	25.5	79.5	special anti-rotation	102
00 FCH 11	30	33.5	20.5	73.5	basic	90



### SUPPORTS WITH SPHERICAL PIN

Art.	A	B	D	H	Cup holder	Weight
			∅			g
00 FCH 20	35	39.5	25.5	79.5	special anti-rotation	168
00 FCH 21	30	33.5	20.5	73.5	basic	154



### SUPPORTS WITH BUILT-IN SPHERICAL JOINT

Art.	Cup holder	Weight
		g
FCH 16	special anti-rotation	156