

VACUUM AND PRESSURE GAUGES

The measurement method of our vacuum gauges is based on the principle of the Bourdon spring (Eugène Bourdon, France, 1808–1884).

It is made using section tubes in special copper alloy, one end is welded to the threaded pin of the vacuum-pressure gauge, thus forming a single body with it, while the other closed end is free

As the vacuum or the pressure inside increases, it tends to shift from the initial position (Bourdon effect).

The movement of the free end of the spring determines the vacuum-pressure measurement.

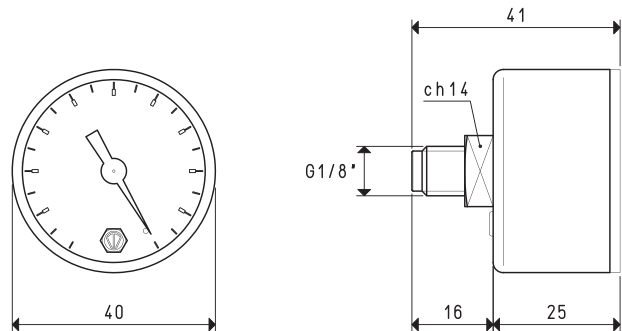
In order to allow an easier reading, this movement is amplified by means of a connection lever and transmitted to the pointer.

All is enclosed in a sturdy metal casing which contains the dial and the pointer, that can be seen through a glass.

They are available in various versions, with coaxial or radial connectors, with built-in or external flange, dry or glycerine filled.

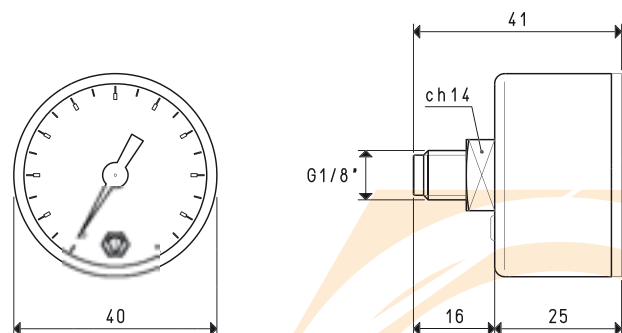
Except for vacuum gauges with diameter \varnothing 40 mm, all the other models have a double scale dial.

All the vacuum and pressure gauges we will describe in these pages are made in compliance with all the safety standards and measurement units in force in the European Union.



VACUUM GAUGE

Art.	Scale Kpa	Double Scale	Scale error allowed	Operating temperature	Notes	Weight g
09 03 15	0 ÷ -100	--	2.5%	-10 °C ÷ +50 °C	dry	52



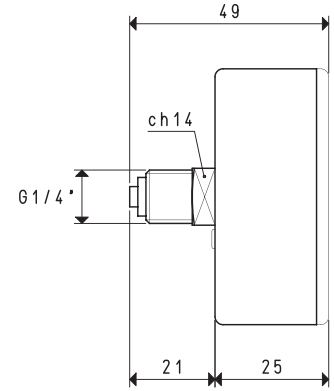
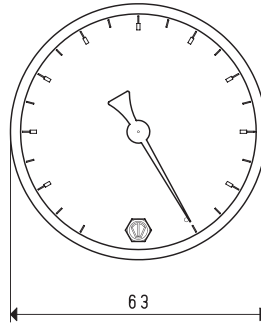
PRESSURE GAUGES

Art.	Scale bar (g)	Double Scale	Scale error allowed	Operating temperature	Notes	Weight g
09 03 20	0 ÷ 1.6	0 ÷ 23 psi	2.5%	-10 °C ÷ +50 °C	dry	54
09 03 25	0 ÷ 10	0 ÷ 1.0 MPa	2.5%	-10 °C ÷ +50 °C	dry	54

Conversion ratio: inch = $\frac{\text{mm}}{25.4}$; pounds = $\frac{\text{g}}{453.6}$ = $\frac{\text{Kg}}{0.4536}$

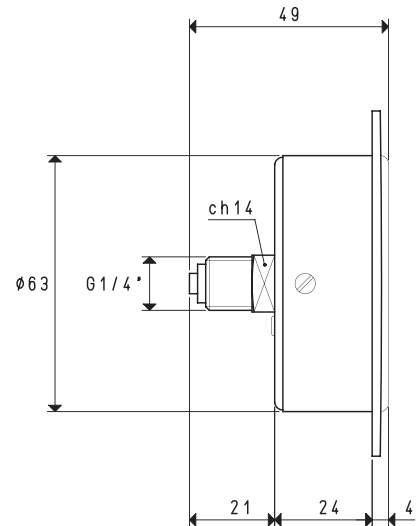
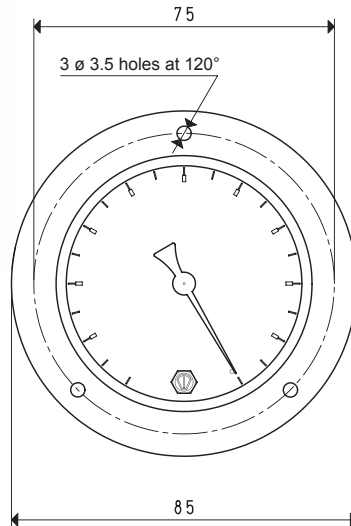
GAS-NPT thread adapters available at page 1.117

VACUUM GAUGES



VACUUM GAUGE

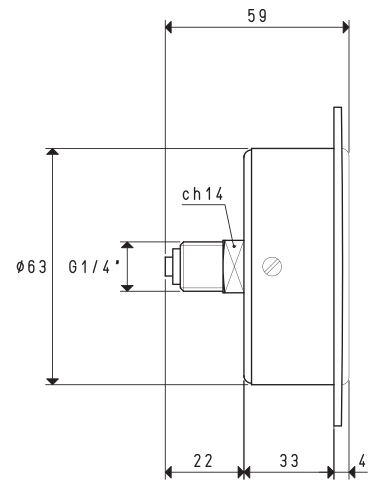
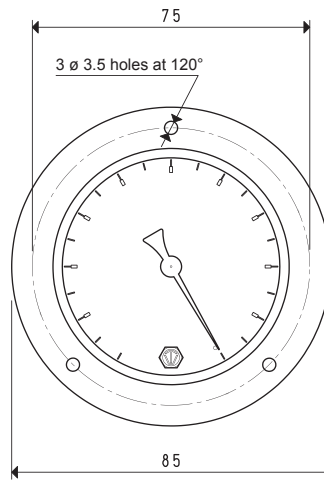
Art.	Scale mbar	Double Scale KPa	Scale error allowed	Operating temperature	Notes	Weight g
09 03 10	0 ÷ -1000	0 ÷ -100	2.5%	-10 °C ÷ +50 °C	dry	134



VACUUM GAUGE

Art.	Scale mbar	Double Scale Kpa	Scale error allowed	Operating temperature	Notes	Weight g
09 01 10	0 ÷ -1000	0 ÷ -100	2.5%	-10 °C ÷ +50 °C	dry	162

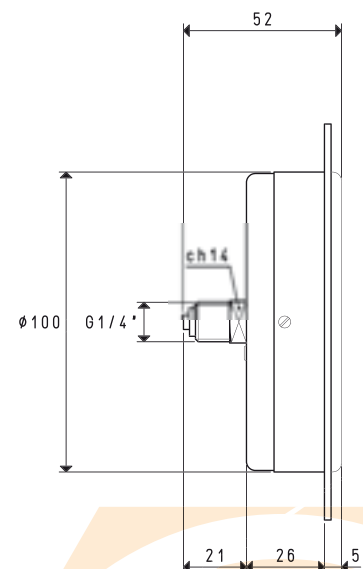
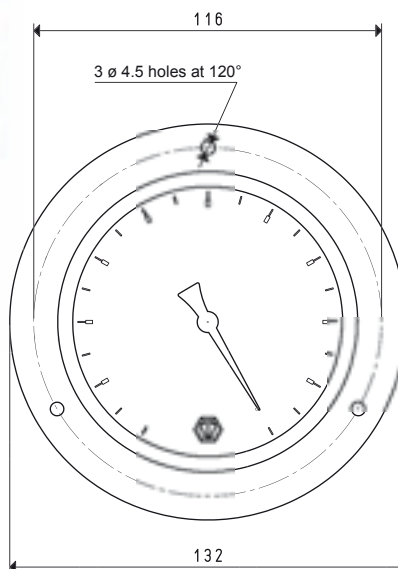
3D drawings available at www.vuototecnica.net



3

VACUUM GAUGE

Art.	Scale mbar	Double Scale KPa	Scale error allowed	Operating temperature	Notes	Weight g
09 01 16	0 ÷ -1000	0 ÷ -100	1.6%	-10 °C ÷ +50 °C	glycerine bath	348



VACUUM GAUGE

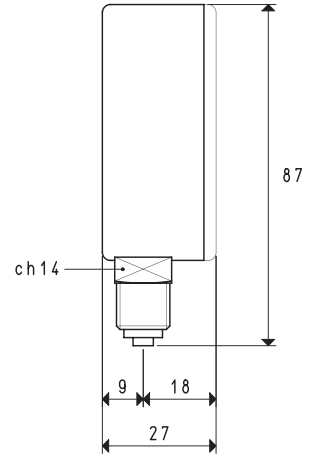
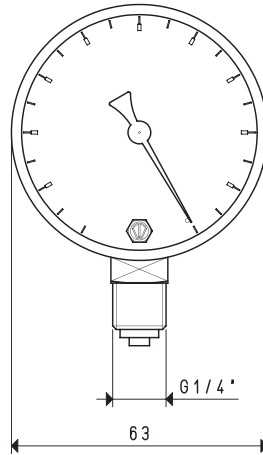
Art.	Scale mbar	Double Scale KPa	Scale error allowed	Operating temperature	Notes	Weight g
09 02 10	0 ÷ -1000	0 ÷ -100	1%	-10 °C ÷ +50 °C	dry	346

3D drawings available at www.vuototecnica.net

Conversion ratio: inch = $\frac{mm}{25.4}$; pounds = $\frac{g}{453.6} = \frac{Kg}{0.4536}$

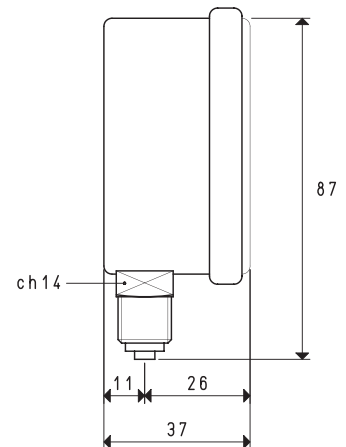
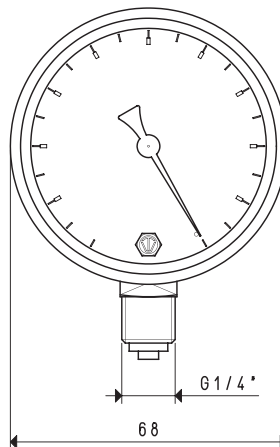
GAS-NPT thread adapters available at page 1.117

VACUUM GAUGES



VACUUM GAUGE

Art.	Scale mbar	Double Scale KPa	Scale error allowed	Operating temperature	Notes	Weight g
09 05 10	0 ÷ -1000	0 ÷ -100	2.5%	-10 °C ÷ +50 °C	dry	136



VACUUM GAUGE

Art.	Scale mbar	Double Scale KPa	Scale error allowed	Operating temperature	Notes	Weight g
09 05 16	0 ÷ -1000	0 ÷ -100	1.6%	-10 °C ÷ +50 °C	glycerine bath	218

3D drawings available at www.vuototecnica.net