

## TANKS FOR VERTICAL PUMPSETS WITH ONE VACUUM PUMP

Vertical pumpset tanks have a circular section and are made with welded sheet steel with perfect vacuum seal, while the pump support frame, which is welded to the tank, is made with profiled steel.

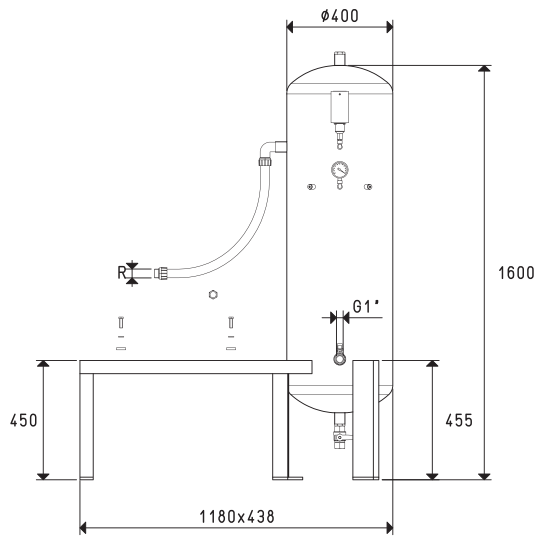
Both the tank and the support frame are varnished with special corrosion and water condensation-resistant paint.

They are set for the installation of a vacuum pump and a switchgear to be selected among those in the table, and are equipped with:

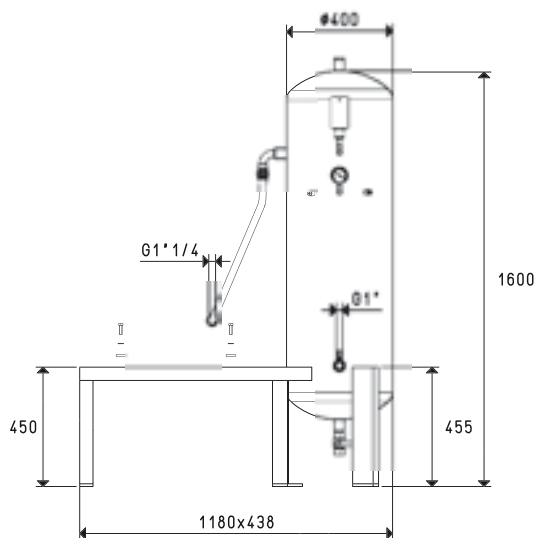
- A vacuum switch for adjusting the vacuum level within which to operate.
- A vacuum gauge for a direct reading of the vacuum level in the tank.
- A check valve for the pumps that do not have them.
- A manual valve for vacuum interception.
- A cock for condensation drainage.

- Hoses and fittings for connecting the pump to the tank and screws for fixing it to the support frame.

Available with various volumes, from 150 to 1000 litres.



Art.	Tank	Weight	R	Pump	For:	Switchgear	Recommended filtre accessories
	Litres	Kg	Ø	Mod.		art.	art.
<b>DV 150 01</b>	150	63	G3/4"	VTL 25/FG - VTL 30/FG - VTL 35/FG		DO 100 90	FB 30 / FC 30
<b>DV 150 02</b>	150	63	G1"	VTL 50/G1 - VTL 75/G1		DO 100 90	FB 30 / FC 30



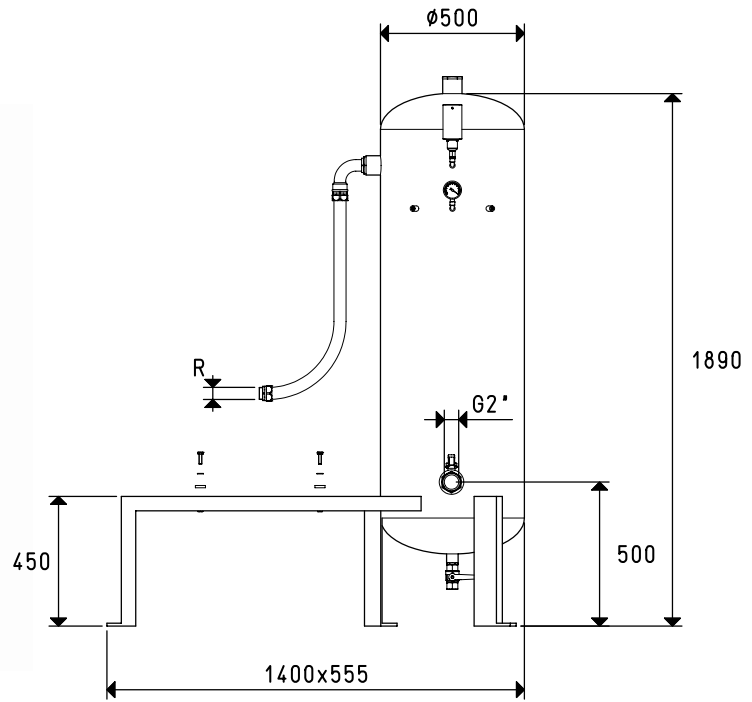
Art.	Tank	Weight	2 pumps	For:	Switchgear	Recommended filtre accessories
	Litres	Kg	Mod.		art.	art.
<b>DV 150 03</b>	150	63	MV 40 - MV 60		DO 100 90	FB 30 / FC 30

Conversion ratio: inch =  $\frac{\text{mm}}{25.4}$ ; pounds =  $\frac{\text{g}}{453.6} = \frac{\text{Kg}}{0.4536}$

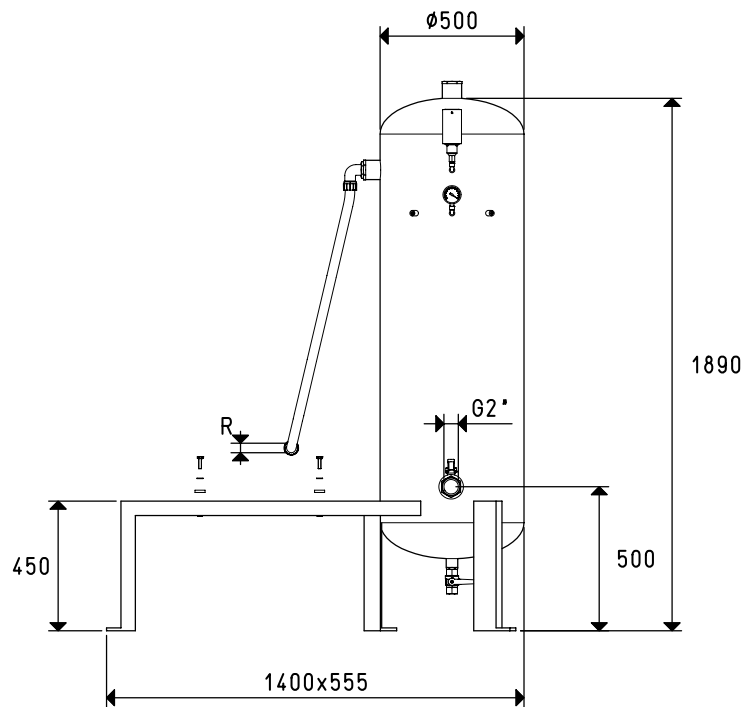
GAS-NPT thread adapters available at page 1.117

7.101

# TANKS FOR VERTICAL PUMPSETS WITH ONE PUMP



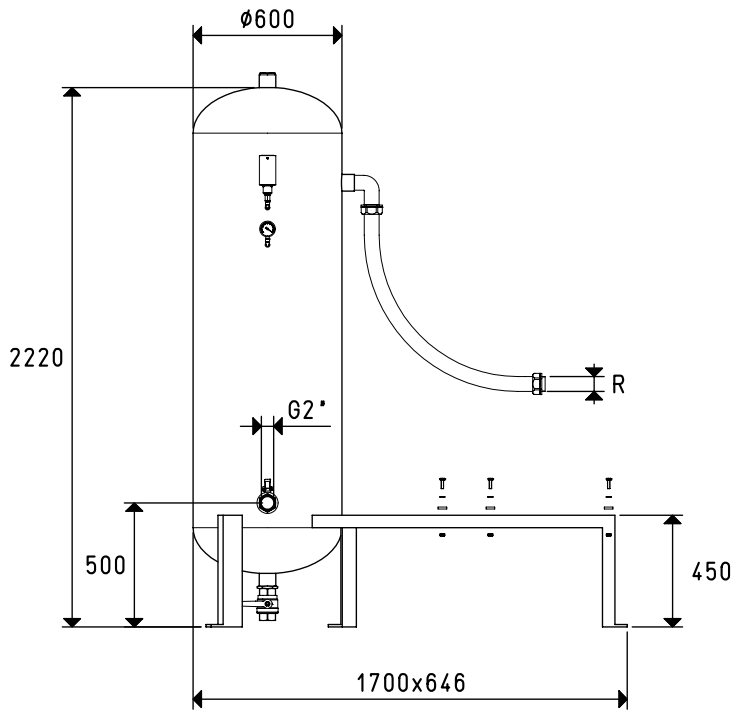
Art.	Tank	Weight	R	For:			Recommended filtre accessories art.
				Pump	Switchgear		
	Litres	Kg	Ø	Mod.	art.		
<b>DV 300 01</b>	300	75	G1"1/4	MV 40 - MV 60 - MV 100	D0 100 90	FB 60 / FC 60	
<b>DV 300 04</b>	300	75	G1"1/2	MV 160R	D0 100 90	FB 60 / FC 60	



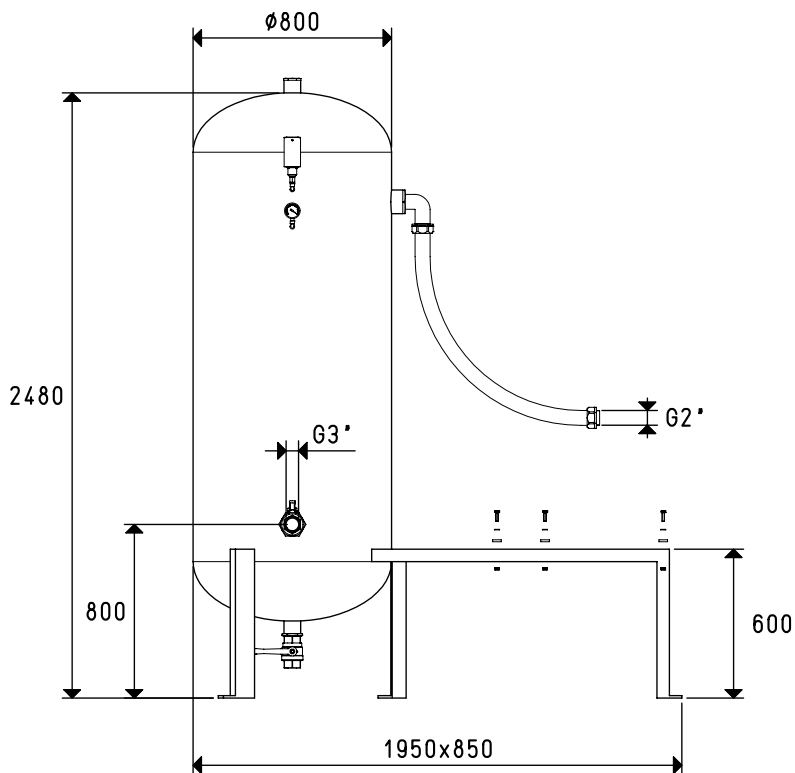
Art.	Tank	Weight	R	For:			Recommended filtre accessories art.
				Pump	Switchgear		
	Litres	Kg	Ø	Mod.	art.		
<b>DV 300 02</b>	300	75	G1"	VTL 50/G1	D0 100 90	FB 60 / FC 60	
<b>DV 300 03</b>	300	75	G1"1/4	VTL 75/G1 - VTL 105/G1	D0 100 90	FB 60 / FC 60	

3D drawings available at [www.vuototecnica.net](http://www.vuototecnica.net)

## TANKS FOR VERTICAL PUMPSETS WITH ONE PUMP



Art.	Tank	Weight	R	Pump	For:	Recommended
	Litres	Kg	Ø	Mod.	Switchgear art.	filtration accessories art.
<b>DV 500 02</b>	500	165	G1"1/2	MV 160R	DO 100 90	FB 60 / FC 60
<b>DV 500 03</b>	500	165	G2"	MV 200R - MV 300R	DO 100 91	FB 60 / FC 60



Art.	Tank	Weight	Pump	For:	Recommended
	Litres	Kg	Mod.	Switchgear art.	filtration accessories art.
<b>DV 1000 03</b>	1000	214	MV 200R - MV 300R	DO 100 91	FC 80