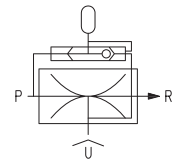
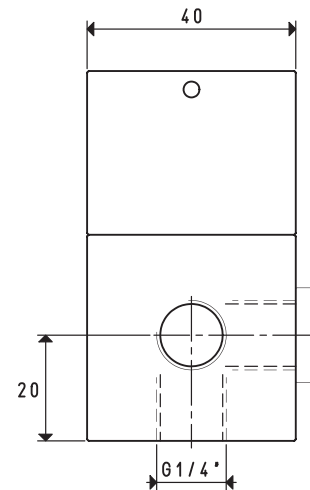
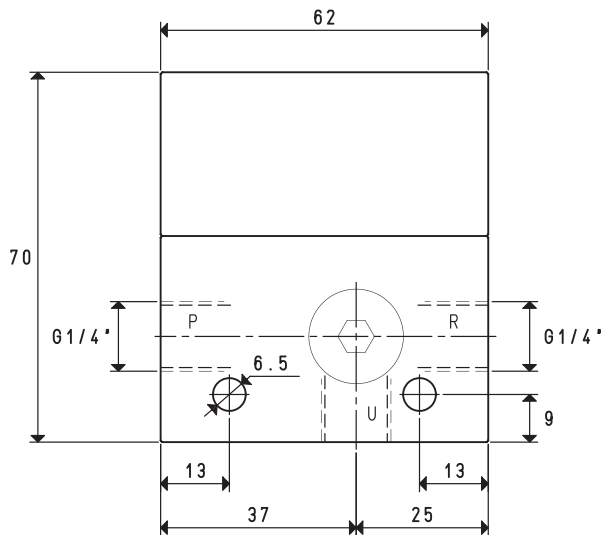


SINGLE-STAGE VACUUM GENERATORS WITH EJECTOR 15 02 10 and 15 04 10

The operation of these single-stage vacuum generators is based on the Venturi principle. Supplying the generator with compressed air in P, vacuum will be generated at connection U, while both the supply and the sucked air will be released through R. At the same time, the chamber contained in the generator is also supplied and, as soon as the supply in P is interrupted, it discharges the compressed air that had been collected in it through connection U, thus rapidly restoring the atmospheric pressure at the service.

If, for example, a vacuum cup is connected to the service U, thanks to this system it will disconnect much rapidly than with the vacuum generators described previously. They are fully made with anodised aluminium.



P=COMPRESSED AIR CONNECTION

R=EXHAUST

U=VACUUM CONNECTION

Art.	15 02 10			
Quantity of sucked air	cum/h	2.7	2.8	2.8
Max. vacuum level	-kPa	55	70	83
Final pressure	mbar abs.	450	300	170
Supply pressure	bar (g)	4	5	6
Air consumption	NI/s	0.7	0.8	0.9
Working temperature	°C			-20 / +80
Noise level	dB(A)			63
Weight	g			319
Spare parts				
Sealing kit	art.			00 15 500

Note: All the vacuum data indicated in the table are valid at the normal atmospheric pressure of 1013 mbar and are obtained with a constant supply pressure.