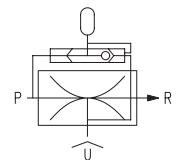
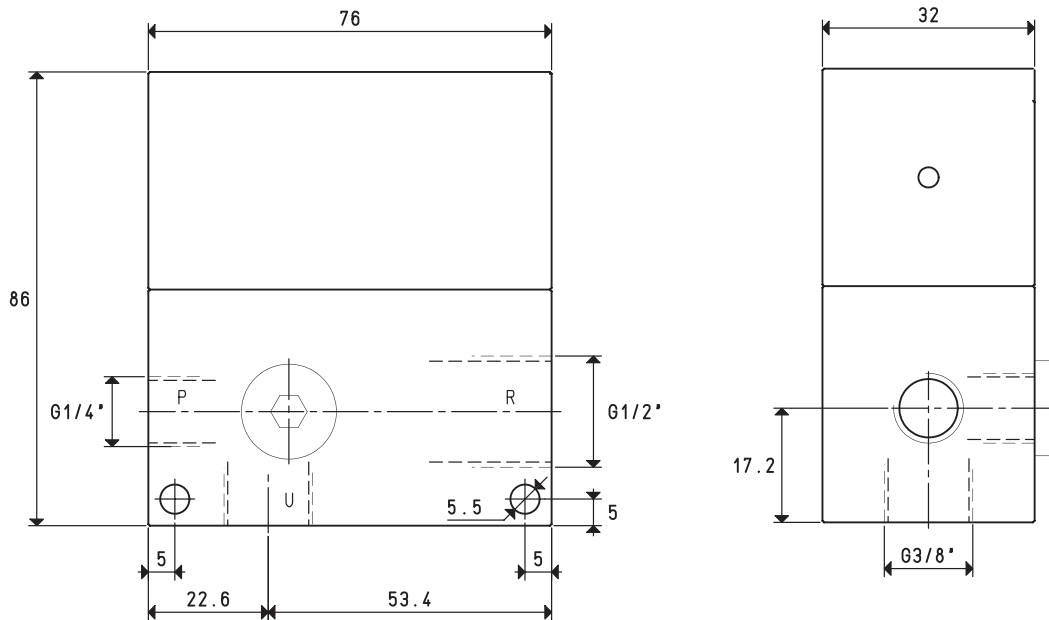


# SINGLE-STAGE VACUUM GENERATORS WITH EJECTOR 15 04 10



P=COMPRESSED AIR CONNECTION      R=EXHAUST      U=VACUUM CONNECTION

Art.	15 04 10			
Quantity of sucked air	cum/h	4.8	5	5
Max. vacuum level	-kPa	62	78	85
Final pressure	mbar abs.	380	220	150
Supply pressure	bar (g)	4	5	6
Air consumption	NI/s	1.3	1.6	1.8
Working temperature	°C	-20 / +80		
Noise level	dB(A)	79		
Weight	g	501		
Spare parts				
Sealing kit	art.	00 15 501		

**Note:** All the vacuum data indicated in the table are valid at the normal atmospheric pressure of 1013 mbar and are obtained with a constant supply pressure.