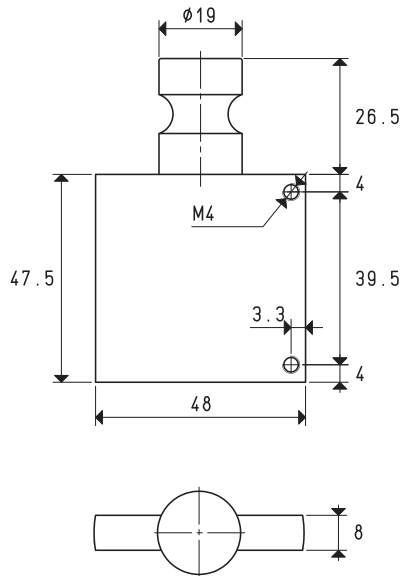
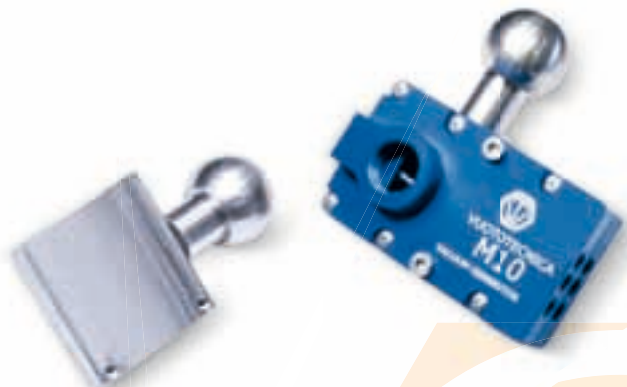
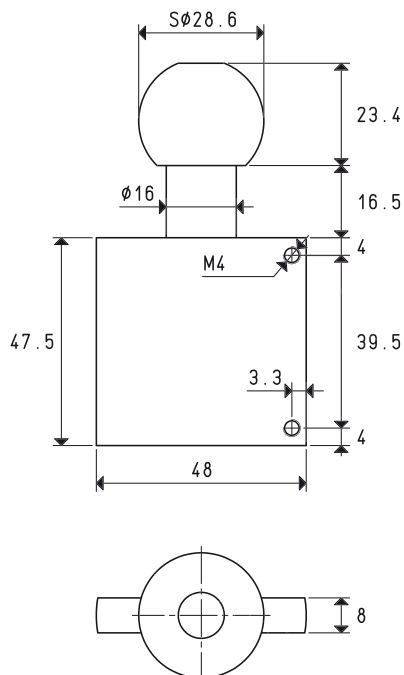


FIXING SUPPORTS FOR MULTI-STAGE VACUUM GENERATORS

The supports described in this page are made with anodised aluminium as a standard, but, upon request, they can be supplied in the stainless steel version. These supports are for fixing the multi-stage vacuum generators to the machine via a cylindrical slotted pin or a ball pin housed in the machine itself. They are suited for robotic gripping systems and they allow for an easy installation of the vacuum generators on the profiles used in the automotive sector.



Art.	For generators	Material	Weight g
00 FCH 23	M 3 - M 7 - M 10 - M 14 - M 18	aluminium	63
00 FCH 22	M 3 - M 7 - M 10 - M 14 - M 18	stainless steel	191



Art.	For generators	Material	Weight g
00 FCH 13	M 3 - M 7 - M 10 - M 14 - M 18	aluminium	85
00 FCH 12	M 3 - M 7 - M 10 - M 14 - M 18	stainless steel	256

Conversion ratio: inch = $\frac{\text{mm}}{25.4}$; pounds = $\frac{\text{g}}{453.6} = \frac{\text{Kg}}{0.4536}$