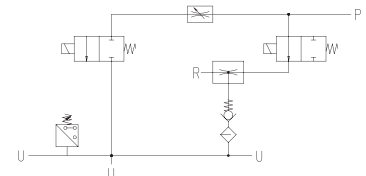
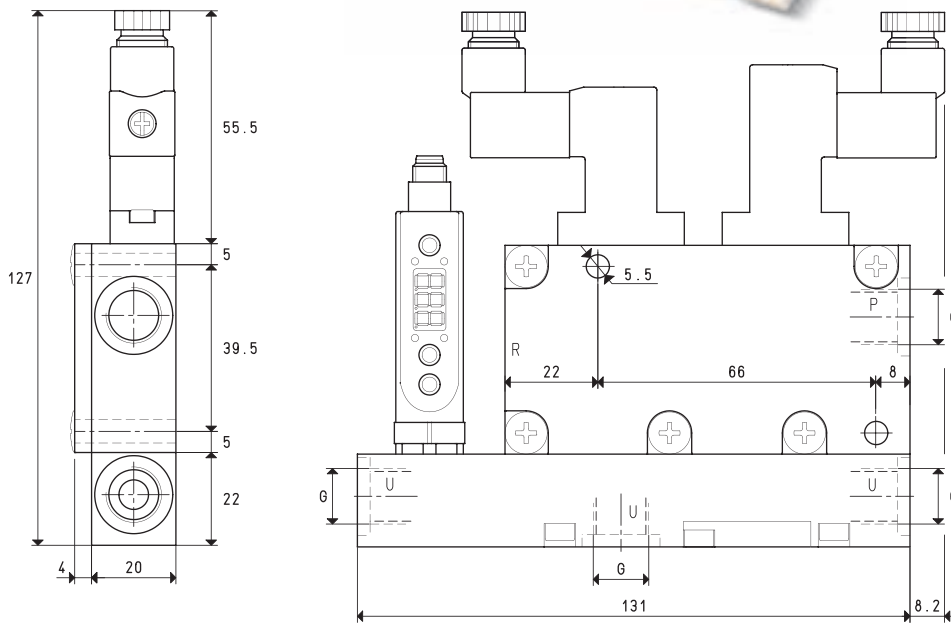


MODULAR MULTI-STAGE AND MULTI-FUNCTION VACUUM GENERATORS GVMM 3 and GVMM 7



P=COMPRESSED AIR CONNECTION R=EXHAUST U=VACUUM CONNECTION

Art.				GVMM 3		GVMM 7	
Quantity of sucked air	cum/h	2.6	2.8	3.0	5.5	6.0	6.4
Max. vacuum level	-KPa	64	85	85	60	80	85
Final pressure	mbar abs.	360	150	150	400	200	150
Supply pressure	bar (g)	3	4	5	3	4	5
Air consumption	NI/s	0.6	0.7	0.8	0.9	1.1	1.3
Max. quantity of blown air at 5 bar (g)	l/min			128			128
Supply solenoid valve position	NO/NC			NO			NO
Electric absorption	W			2			2
Ejection solenoid valve position	NC			NC			NC
Electric absorption	W			4			4
Supply voltage	V			24DC			24DC
Vacuum switch output				PNP			PNP
Class of protection	IP			65			65
Working temperature	°C			-10 / +60			-10 / +60
Noise level	dB(A)			66			70
Weight	g			420			420
G	Ø			G1/4"			G1/4"

Note: To order the generator: with supply solenoid valve NC, please indicate the code GVMM .. NC;
without the digital vacuum switch, please indicate the code GVMM .. SV.

Note: All the vacuum data indicated in the table are valid at the normal atmospheric pressure of 1013 mbar and are obtained with a constant supply pressure.

Conversion ratio: inch = $\frac{mm}{25.4}$; pounds = $\frac{g}{453.6}$ = $\frac{Kg}{0.4536}$

GAS-NPT thread adapters available at page 1.117

3D drawings available at www.vuototecnica.net