

# MULTI-STAGE VACUUM GENERATORS PVP 12 MX and 25 MX

This new range of multiple ejector vacuum generators represents the natural evolution of the PVP 12M and 25M generators. In fact, given the same air consumption and final vacuum level, the maximum suction capacity is increased from 15 to 21 cum/h and from 25 to 31 cum/h respectively.

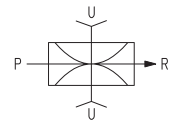
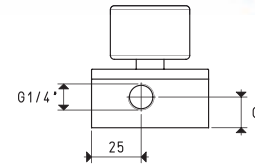
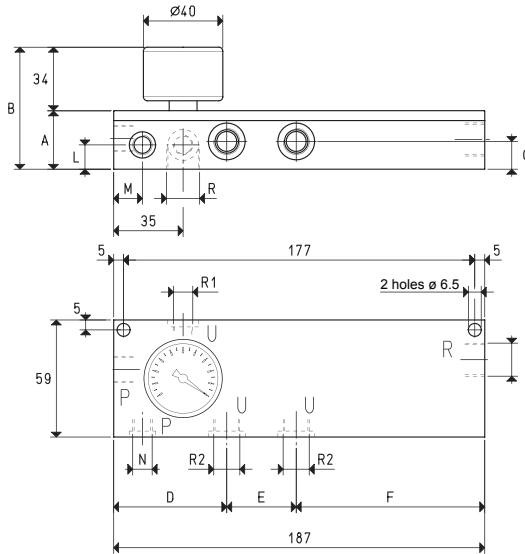
The body and the lid are made with anodised aluminium, all the ejectors are made with stainless steel, as well as the fixing screws.

The state of the art seal in EPDM and is never in contact with the sucked fluid. The reed valves, on the other hand, are made with silicon as a standard, and viton, upon request. The devices are also equipped with two new vacuum connections, apart from the existing one, and one for the possible connection to control or measuring devices.

As a standard, the devices are equipped with a vacuum gauge, a quick coupler for compressed air supply and metal locking caps for the unused connections.

The exhaust air connections are threaded in order to allow the installation of the new SSX silencers, for a further noise reduction.

They are perfectly interchangeable with the previous generators.



P=COMPRESSED AIR CONNECTION      R=EXHAUST      U=VACUUM CONNECTION

Art.		PVP 12 MX	PVP 25 MX
<b>Max. quantity of sucked air</b>	cum/h	16.0	31.0
<b>Max. vacuum level</b>	-KPa	65	90
<b>Final pressure</b>	mbar abs.	350	100
<b>Supply pressure</b>	bar (g)	4	6
<b>Air consumption</b>	NI/s	1.3	3.2
<b>Working temperature</b>	°C	-20 / +80	-20 / +80
<b>Noise level</b>	dB(A)	65	70
<b>Weight</b>	g	660	960
<b>A</b>		29.5	45.5
<b>B</b>		63.5	79.5
<b>C</b>		15.5	20.7
<b>D</b>		57.0	60.5
<b>E</b>		35.0	37.0
<b>F</b>		95.0	89.5
<b>G</b>		14.0	20.7
<b>L</b>		--	20.75
<b>M</b>		--	14.5
<b>N</b>		--	G1/8"
<b>I</b>	Exhaust connection	Ø	N° 4 x G1/4"
<b>R</b>	Vacuum connection	Ø	G3/8"
<b>R 1</b>	Auxiliary vacuum connection	Ø	G1/8"
<b>R 2</b>	Additional vacuum connection	Ø	G1/2"
<b>Spare parts</b>			
<b>Sealing kit and reed valve</b>	art.	00 KIT PVP 12 MX	00 KIT PVP 25 MX
<b>Vacuum gauge</b>	art.	09 03 15	09 03 15

**Note:** All the vacuum data indicated in the table are valid at the normal atmospheric pressure of 1013 mbar and are obtained with a constant supply pressure.

3D drawing available at [www.vuototecnica.net](http://www.vuototecnica.net)