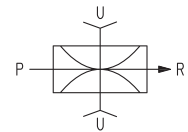
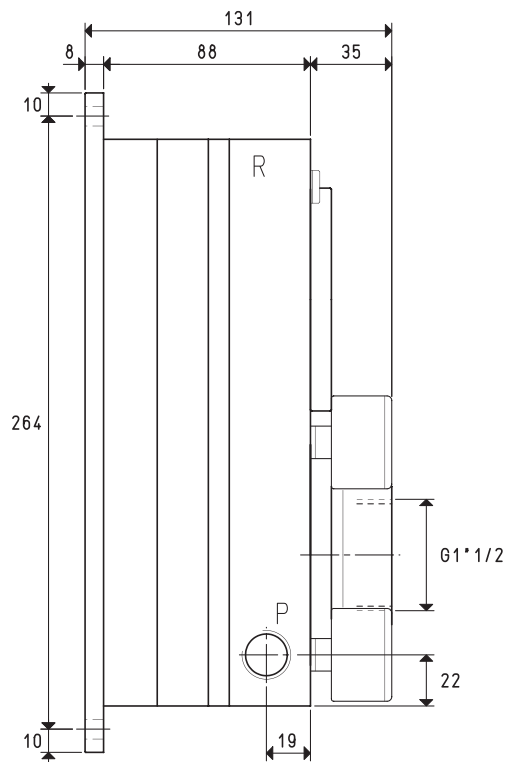
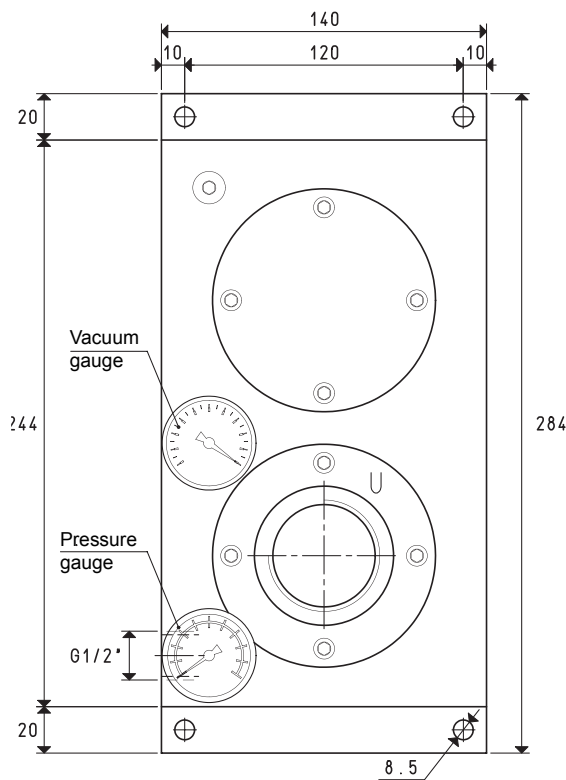


MULTI-STAGE VACUUM GENERATORS PVP 140 M, 170 M and 200 M



P=COMPRESSED AIR CONNECTION R=EXHAUST U=VACUUM CONNECTION

Art.		PVP 140 M			PVP 170 M			PVP 200 M		
		125	140	152	150	168	182	170	188	200
Max. quantity of sucked air	cum/h	125	140	152	150	168	182	170	188	200
Max. vacuum level	-KPa	65	82	90	65	82	90	65	82	90
Final pressure	mbar abs.	350	180	100	350	180	100	350	180	100
Supply pressure	bar (g)	4	5	6	4	5	6	4	5	6
Air consumption	NI/s	9.6	11.4	13.0	12.1	14.2	16.3	14.2	16.9	19.4
Working temperature	°C	-20 / +80			-20 / +80			-20 / +80		
Noise level	dB(A)	70			71			72		
Weight	Kg	5.1			5.1			5.1		
Spare parts										
Sealing kit e disc valves	art.	00 KIT PVP 140 M			00 KIT PVP 170 M			00 KIT PVP 200 M		
Vacuum gauge	art.	09 03 15			09 03 15			09 03 15		
Pressure gauge	art.	09 03 25			09 03 25			09 03 25		

Note: All the vacuum data indicated in the table are valid at the normal atmospheric pressure of 1013 mbar and are obtained with a constant supply pressure.

By adding the letter R to the article, the generator will be supplied with a built-in check valve (E.g.: PVP 140 MR).

3D drawing available at www.vuototecnica.net