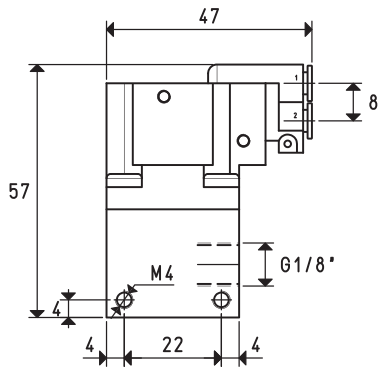


① - MINI PNEUMATIC VACUUM SWITCH

The vacuum switch removes a pneumatic signal as soon as a determined adjustable vacuum level is reached. The pressure differential between the set maximum value and the value of reset of the rest signal cannot be adjusted and it is equal to approximately 100 mbar.

The pneumatic vacuum switch installed on PVP 25 ÷ 75 MDX vacuum generators intervene on the supply slide valve and automatically maintain the maximum and minimum vacuum level within the differential level.

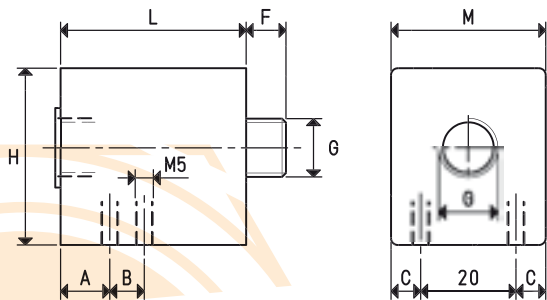


Art.	For generator art.	Weight g
12 02 30 X	PVP 25 ÷ 50 MDX	104
	PVP 60 ÷ 75 MDX	

② - SERVO-CONTROLLED SUPPLY SLIDE VALVE

This valve is provided with slide shutter that, once pneumatically activated by the vacuum switch or by alternative sources intercepts the generator compressed air supply, with pressure ranging from 1.5 and 7 bar (g).

The value is according to the generator supply connection.



Art.	A	B	C	F	G Ø	H	L	M	Weight g	For generator art.
07 01 70	11.5	8.0	7.5	9.5	G1/4"	40	42	35	190	PVP 25 ÷ 50 MDX
07 02 70	13.5	9.5	12.5	9.5	G3/8"	50	51	45	420	PVP 60 ÷ 75 MDX

3D drawing available at [www.vuototecnica.net](http://www.vuototecnica.net)

