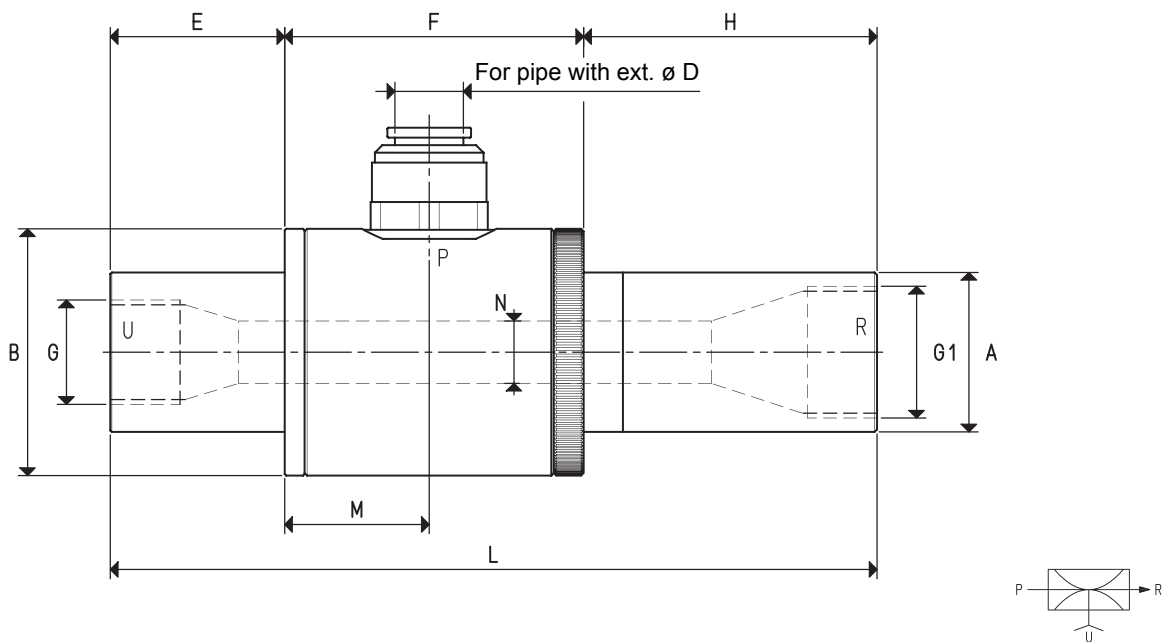


# ADJUSTABLE VACUUM GENERATORS CONEYOR PVR 100 and PVR 200



P=COMPRESSED AIR CONNECTION      R=EXHAUST      U=VACUUM CONNECTION

Art.		PVR 100	PVR 200
Max quantità di aria aspirata a 5 bar (g)	cum/h	50	72
Max. quantity of blown air at 6 bar (g)	cum/h	129	177
Max. vacuum level	-KPa	75	70
Final pressure	mbar abs.	250	300
Max pressione di alimentazione	bar (g)	6	6
Air consumption at 6 bar (g)	NI/s	22.7	28.3
Working temperature	°C	-20 / +80	-20 / +80
Noise level	dB(A)	100	104
Weight	g	430	550
A	∅	32	38
B	∅	50	57
D	∅	10	12
E		35	35
F		60	60
G	∅	G1/2"	G3/4"
G1	∅	G3/4"	G1"
H		55	77
L		150	172
M		28	28
N	∅	12.5	16.0

**Note:** All the vacuum data indicated in the table are valid at the normal atmospheric pressure of 1013 mbar and are obtained with a constant supply pressure.

By adding the letter I to the article, the generator will be supplied in the stainless steel version (E.g.: PVR 100 I).

3D drawing available at [www.vuototecnica.net](http://www.vuototecnica.net)