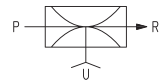
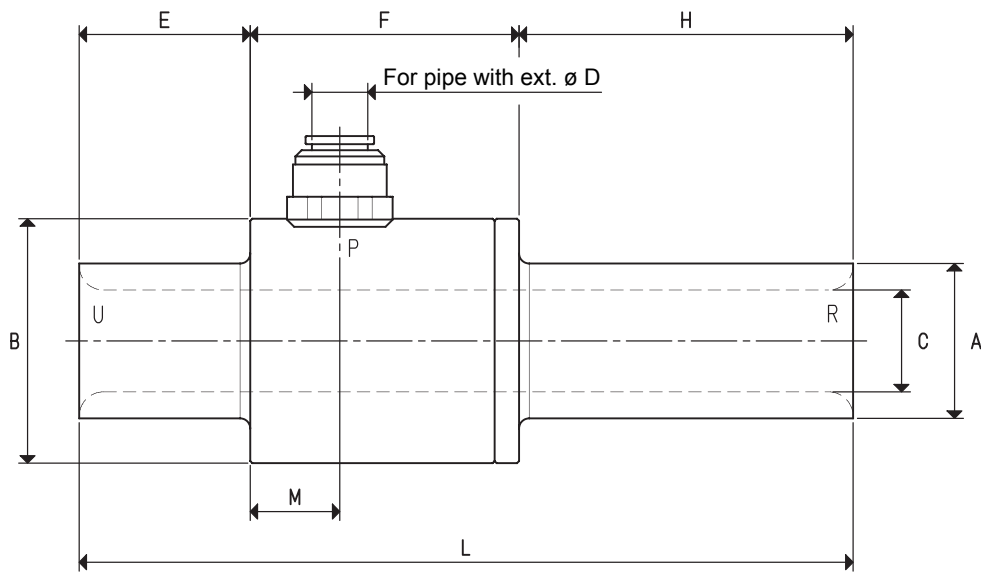


# FLOW GENERATOR VACUUM JET, CX 13 and CX 19



P=COMPRESSED AIR CONNECTION      R=EXHAUST      U=VACUUM CONNECTION

Art.		CX 13	CX 19
Max. quantity of sucked air at 6 bar (g)	cum/h	50.0	92.0
Max. quantity of blown air at 6 bar (g)	cum/h	73.7	134.0
Max. vacuum level	-KPa	18	16
Final pressure	mbar abs.	820	840
Max pressione di alimentazione	bar (g)	6	6
Air consumption at 6 bar (g)	NI/s	6.6	11.6
Working temperature	°C	-20 / +80	-20 / +80
Noise level	dB(A)	88	92
Weight	g	280	500
A	∅	25	32
B	∅	45	54
C	∅	13	19
D	∅	8	10
E		30	43
F		55	65
H		55	82
L		140	190
M		18	22

**Note:** All the vacuum data indicated in the table are valid at the normal atmospheric pressure of 1013 mbar and are obtained with a constant supply pressure.

By adding the letter I to the article, the generator will be supplied in the stainless steel version (E.g.: CX 13 I).

Conversion ratio: inch =  $\frac{\text{mm}}{25.4}$ ; pounds =  $\frac{\text{g}}{453.6}$  =  $\frac{\text{Kg}}{0.4536}$

GAS-NPT thread adapters available at page 1.117

3D drawing available at [www.vuototecnica.net](http://www.vuototecnica.net)