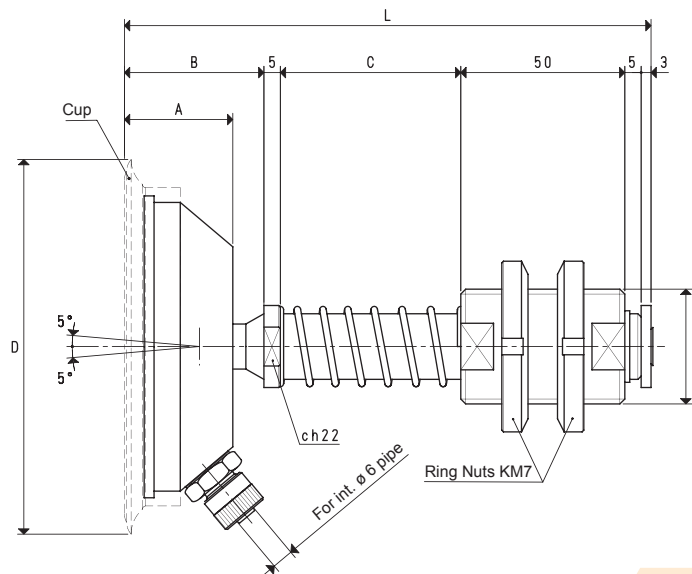
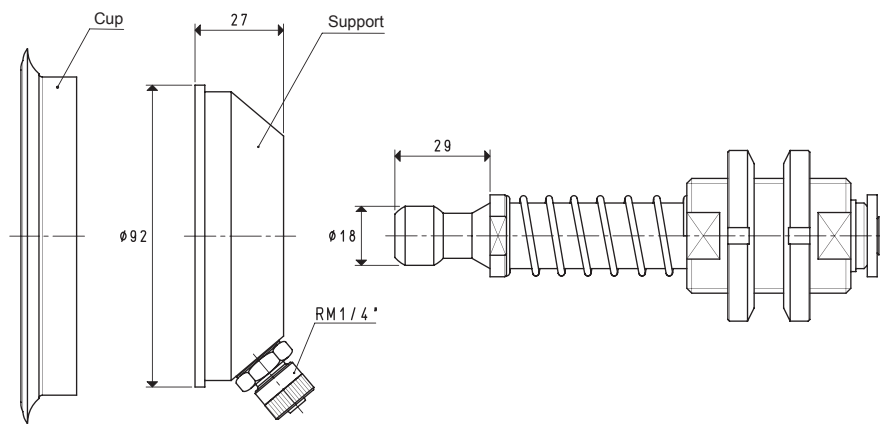


SPECIAL ARTICULATED CUP HOLDERS WITHOUT GS ARTICULATED JOINT

Unlike the ones previously described, these special articulated cup holders have the articulated joint housed in the cup support; this has allowed reducing the overall dimensions, without affecting performance.

The actual springing stroke is:

- For height C= 55 mm 37 mm
- For height C= 110 mm 84 mm



VERSION 06 110 32

CUP HOLDERS WITH STRAIGHT QUICK COUPLER FOR PLASTIC HOSE Ø 6 X 8

C = 110 mm

Art.	Force Kg	A	B	*C	D Ø	F Ø	L	Cup art.	Support included art.	Weight Kg	Weight Kg
06 110 32	23.74	33	42.5	55	114	M35 x 1.5	160.5	01 110 10	00 06 62	1.15	1.27

Note: Cups are not an integral part of the cup holders, therefore, they must be ordered separately.

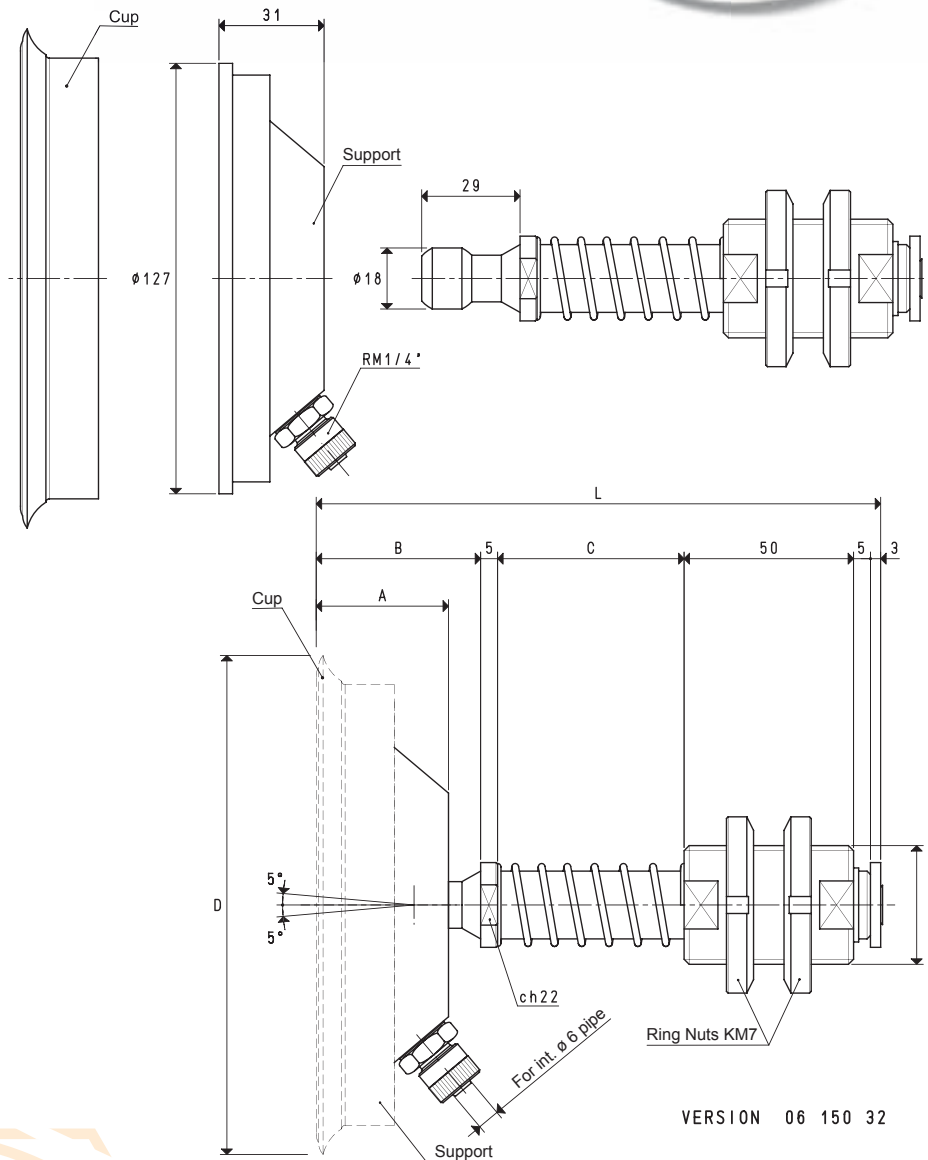
* Also available with height C of 110 mm

Conversion ratio: inch = $\frac{\text{mm}}{25.4}$; pounds = $\frac{\text{g}}{453.6} = \frac{\text{Kg}}{0.4536}$

SPECIAL ARTICULATED CUP HOLDERS WITHOUT GS ARTICULATED JOINT

The actual springing stroke is:

- For height C= 55 mm 37 mm
- For height C= 110 mm 84 mm



CUP HOLDERS WITH STRAIGHT QUICK COUPLER FOR PLASTIC HOSE Ø 6 X 8

C = 110 mm

Art.	Force Kg	A	B	*C	D Ø	F Ø	L	Cup art.	Support included art.	Weight Kg	Weight Kg
06 150 32	45.00	39	48.5	55	154	M35 x 1.5	166.5	01 150 10	00 06 49	1.63	1.76

Note: Cups are not an integral part of the cup holders, therefore, they must be ordered separately.

* Also available with height C of 110 mm

3D drawings available at www.vuototecnica.net