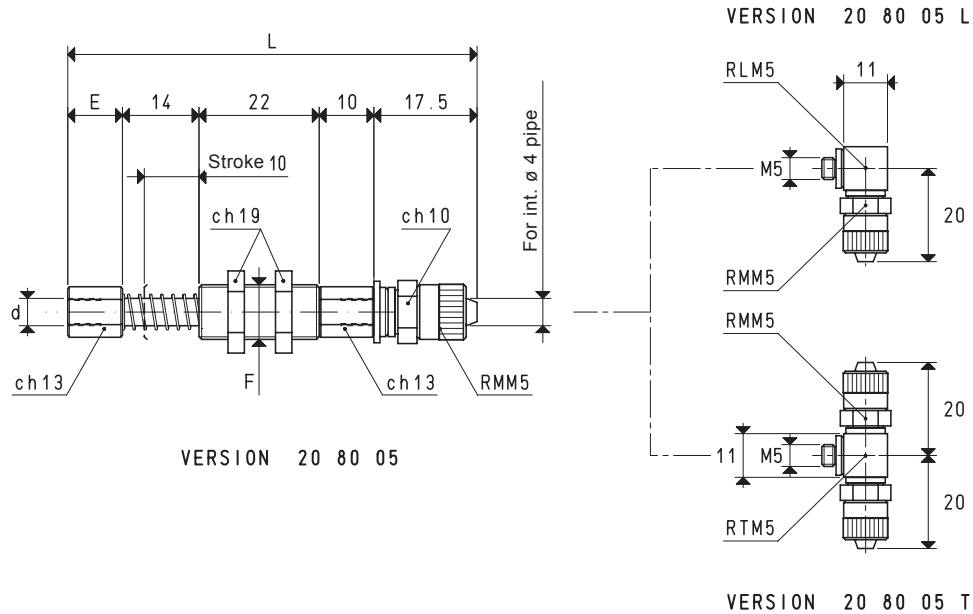


MICRO CUP HOLDERS 20 80 05



- Extremely reduced size and weight
- Stainless steel stem and spring
- Self-lubricating bush built in the threaded sleeve ensuring a perfect sliding of the stem and durability
- Indicated for Pick & Place units and handling machines for unloading plastic objects from a mould press
- Available in various versions with or without coupling
- Suitable for all vacuum cups with male M5 support

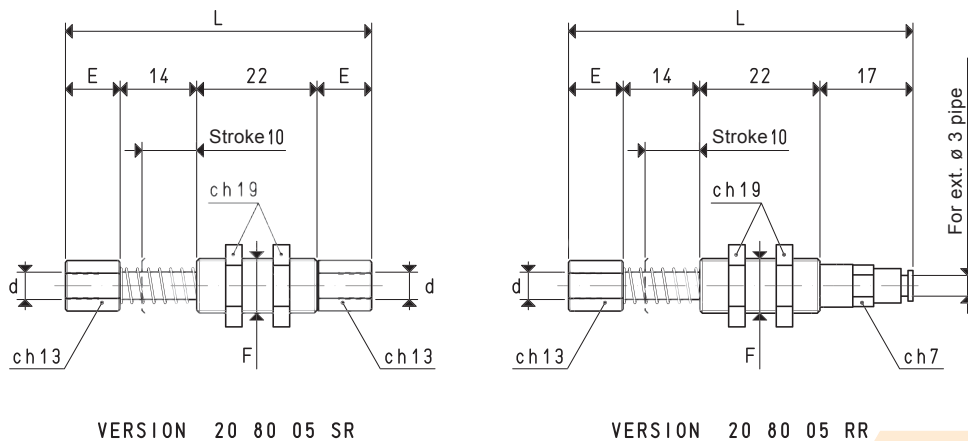
2



CUP HOLDERS WITH STRAIGHT QUICK COUPLER FOR PLASTIC HOSE Ø 4 X 6

Art.	d	E	F	L	Weight
	∅		∅		g
20 80 05	M5	10	M10 x 0.75	73.5	20

Note: add the letter L or T to order cup holders with L-type or T-type fittings.



Art.	d	E	F	L	Weight
	∅		∅		g
20 80 05 SR	M5	10	M10 x 0.75	56	14
20 80 05 RR	M5	10	M10 x 0.75	63	16

Conversion ratio: inch = $\frac{\text{mm}}{25.4}$; pounds = $\frac{\text{g}}{453.6}$ = $\frac{\text{Kg}}{0.4536}$