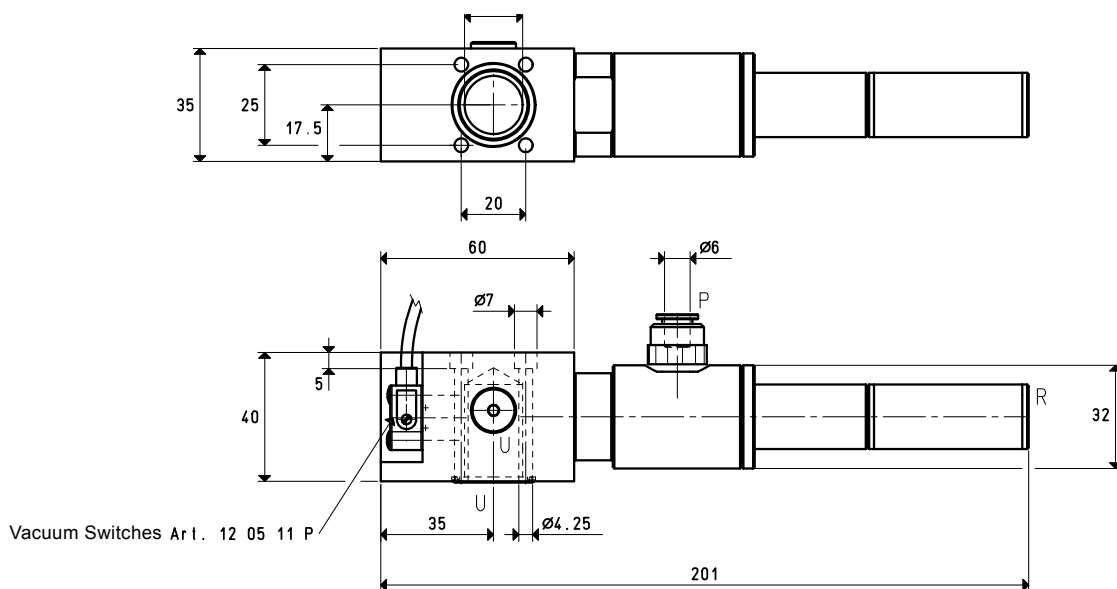


ADJUSTABLE VACUUM GENERATORS PVR 25 MS

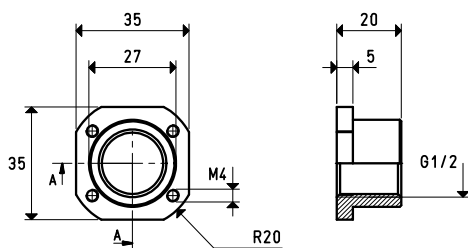


P=COMPRESSED AIR CONNECTION R=EXHAUST U=VACUUM CONNECTION

Art.			PVR 25 MS
Quantity of sucked air	cum/h	6.4	9.6
Max. vacuum level	-KPa	12	70
Final pressure	mbar ass.	880	300
Supply pressure	bar	1	3
Air consumption	NI/s	8.2	12.49

Note: All the vacuum data indicated in the table are valid at the normal atmospheric pressure of 1013 mbar and are obtained with a constant supply pressure.

Accessories on request.
Threaded Adapter for
suction inlet
art. 00 15 397



Conversion ratio: inch = $\frac{\text{mm}}{25.4}$; pounds = $\frac{\text{g}}{453.6}$ = $\frac{\text{Kg}}{0.4536}$ GAS-NPT thread adapters available at page 1.117