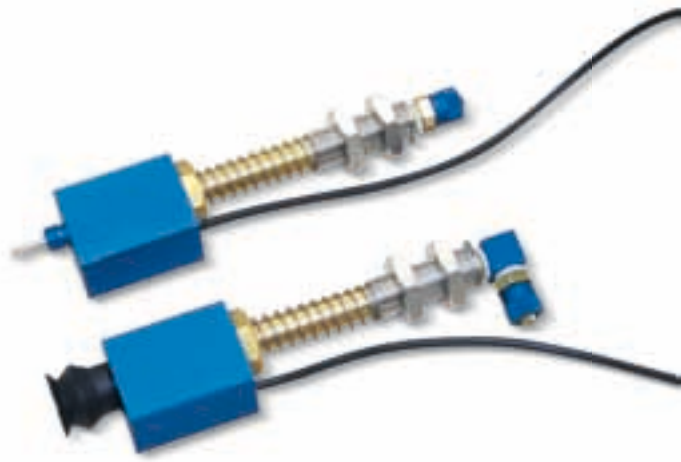


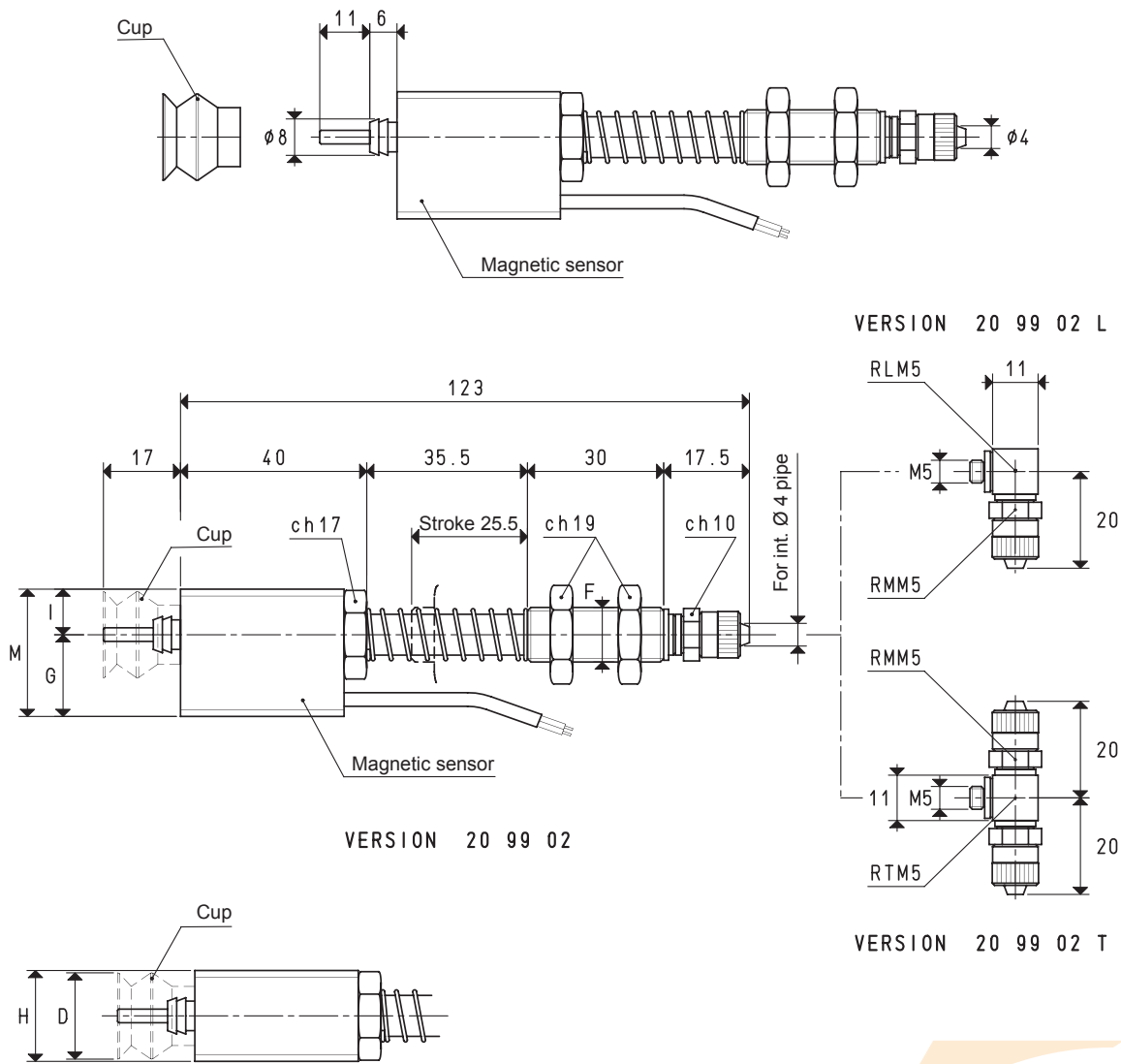
# MINI CUP HOLDERS WITH MAGNETIC SENSOR



These cup holders share the same technical features of the other mini cup holders. Their distinctive feature is a magnetic sensor which provides an electric signal to the machine every time the vacuum cup grips the load to be handled.

This is the reason why they are recommended to be used on piece counter handlers, boxing machines and in all those cases in which the presence of the gripped object is to be guaranteed.

These cup holders have been designed for gripping chocolate bars, snacks, and similar products and they are currently made in the version represented in this page. However, they can be made with different vacuum cups upon request.



## CUP HOLDERS WITH STRAIGHT QUICK COUPLER FOR PLASTIC HOSE Ø 4 X 6

Art.	Force Kg	D Ø	F Ø	G	H	I	M	Cup art.	Weight g
20 99 02	0.70	19	M12 x 1.25	18	20	10	28	01 19 17	163.3

**Note:** Cups are not an integral part of the cup holders, therefore, they must be ordered separately.  
Add the letter L or T to order cup holders with L-type or T-type fittings.

Conversion ratio: inch =  $\frac{mm}{25.4}$  ; pounds =  $\frac{g}{453.6}$  =  $\frac{Kg}{0.4536}$