

SUCTION VALVES FOR VACUUM PRESS BAGS

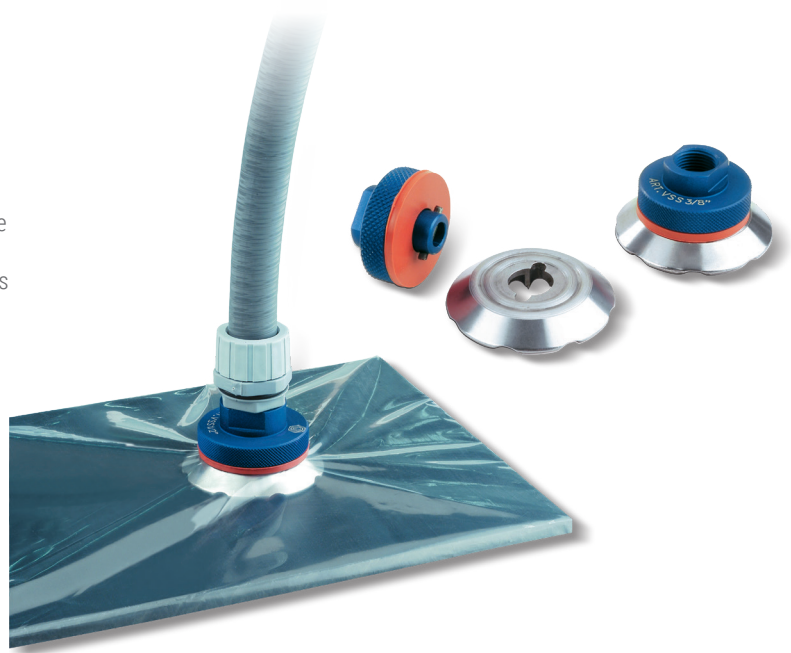
The suction valves described on this page have been designed for a quick vacuum connection on press bags for composite fibre products.

These valves are composed of a steel distributor, to be inserted inside the bag, equipped with a cam housing suitable for the quick coupler for the vacuum connection. The latter is made with reeded and anodised aluminium and is easily coupled with the distributor by simply rotating it on its axis by 90°, once it has been inserted.

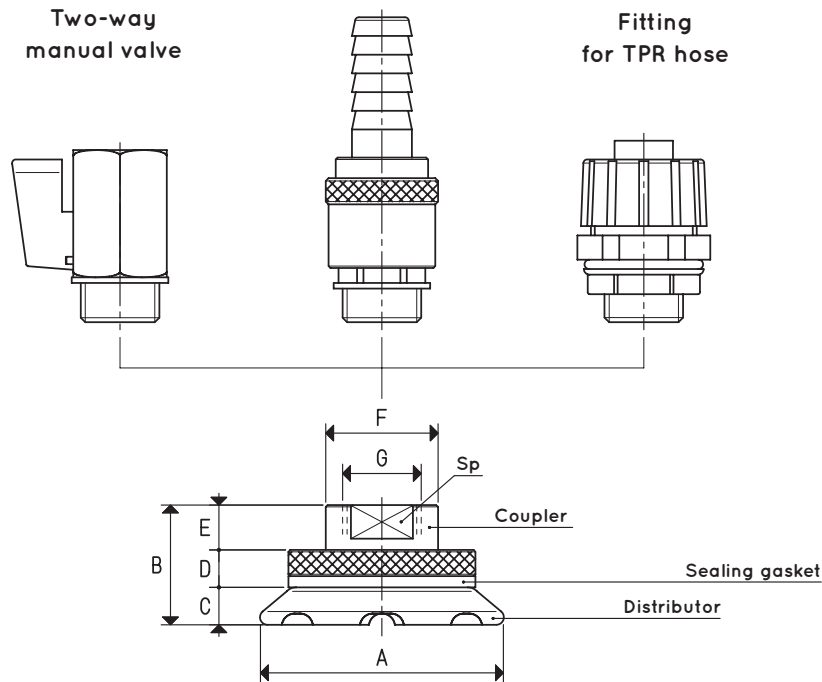
A silicone seal, to be placed between the two elements and the press bag, guarantees a perfect vacuum seal. Manual two-way valves, quick couplers or simply flexible pipe fittings can be assembled onto these valves.

They are currently available in the two versions indicated in the table, but can be provided in different sizes and shapes upon request for a minimum amount.

Maximum temperature of use: 220°



Quick coupling fitting



Item	Maximum flow rate recommended m ³ /h	Hole to be made in bag Ø	Two-way manual valve item	Quick coupler fitting item	Fitting for TPR hose item	Weight g	A	B	C	D	E	F	G	Sp
							Ø	Ø	Ø	Ø	Ø	Ø	Ø	
VSS 3/8"	10	16	13 02 11	RR3/8"	RTPR3/8"	178	60	32	10	13	9	24	G3/8"	19
VSS 1/2"	20	19	13 03 11	RR1/2"	RTPR1/2"	218	65	35	10	13	12	30	G1/2"	25

Note: The two-way valves and fittings are not integral parts of the suction valves and, therefore, must be ordered separately.