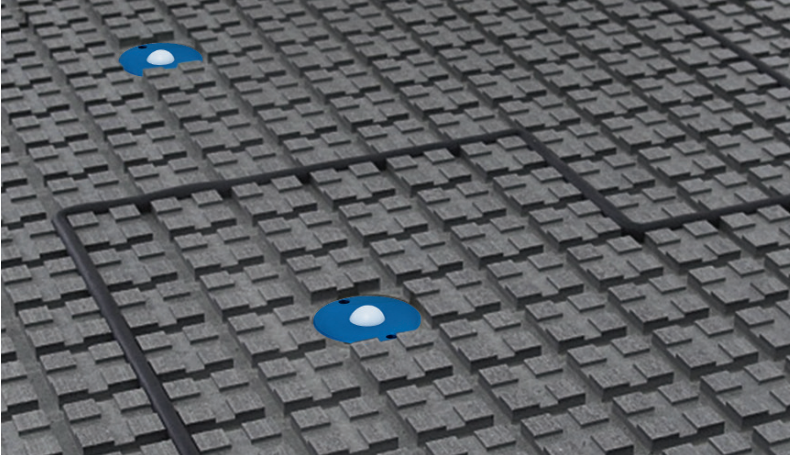
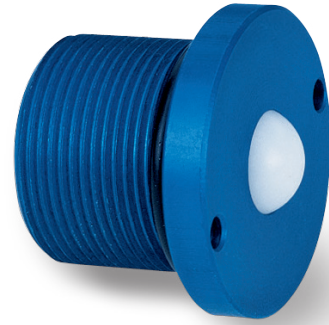


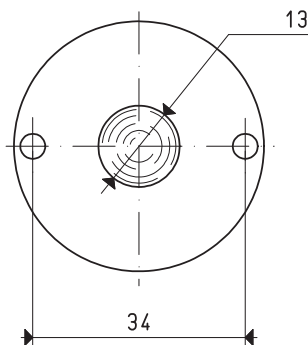
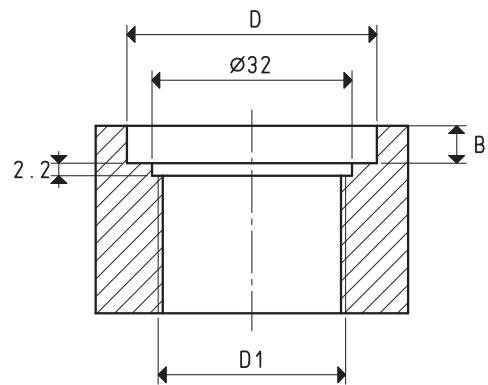
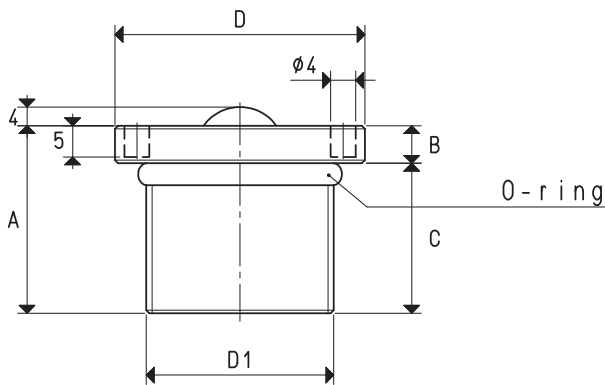


VALVES WITH BALL SHUTTER

Valves with ball shutters activate suction, creating vacuum in the cups on which they are applied, only when the load to be held activates the sealing shutter. They are made of an anodised aluminium body, a nylon ball shutter, a calibrated thrust spring and a threaded brass closing plug. When properly calibrated, they guarantee a perfect vacuum seal. They are recommended for making vacuum operated clamping surfaces. They can be supplied in different sizes and shapes upon request and for a minimum quantity to be defined in the order.



CONSTRUCTION OF SEAT FOR VALVE INSERTION



Item	A	B	C	D Ø	D1 Ø	Actuating force Kg	Weight g
22 01 10	30	6	24	40	M30 x 1.5	2.30	70

Transformation ratio: N (newton) = Kg x 9.81 (force of gravity)

inch = $\frac{\text{mm}}{25.4}$; pounds = $\frac{\text{g}}{453.6} = \frac{\text{Kg}}{0.4536}$