



Electric coils

Electric coils are windings of copper wire on nylon coils fully plasticised in synthetic resin which activate the electromagnetic actuators with which the solenoid valves are provided. Crossed by an electric current, these coils generate a magnetic field which activates the mobile core inside the actuators; the mobile core features a built-in or fixed shutter which cause the valve commutation by opening and closing their mouths.

The standard electric coils are fully plasticised with synthetic resin, tight execution, insulation class F (up to 155°C) compliant with VDE standards, with 6.3 mm 3-terminal electrical connections in compliance with EN 175301-803 (ex DIN 43650).

Protection degree: IP 54; IP 65 with connector inserted.

Tolerance permitted on the nominal voltage value: ±10%.

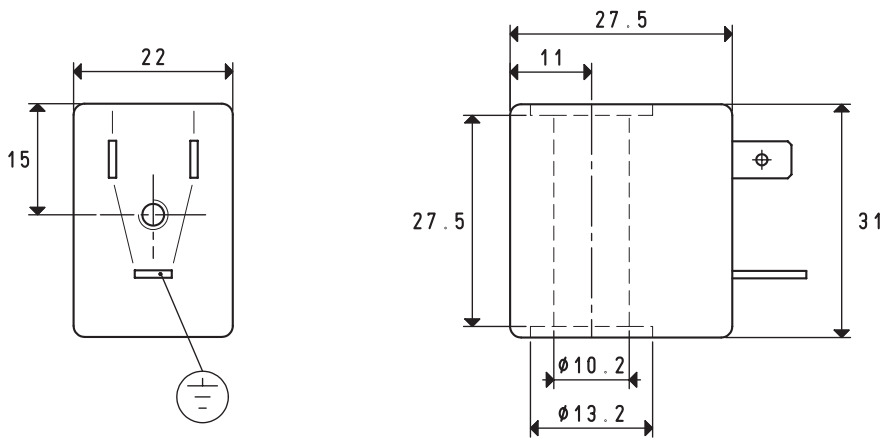
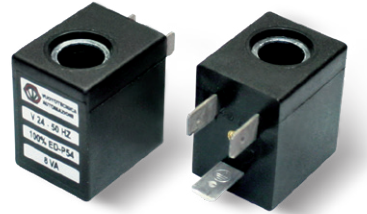
Tolerance permitted on the frequency value: ±5%

Room temperature: from -10 to +45°C

Fluid temperature: from -10 to +95°C

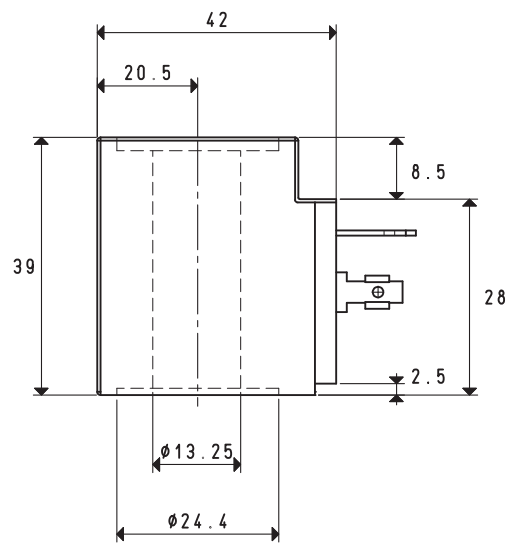
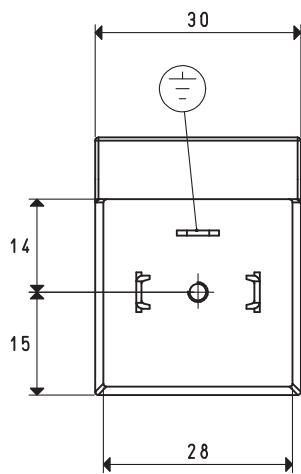
Electric absorption: 8 - 20 V.A. with AC and 6.5 - 18 W with DC.

The electric coils can be rotated 360°.



DIRECT AND ALTERNATING CURRENT COILS

| Item | Service ED | Absorption | Rated voltage | Weight g | For solenoid valves item |
|------------------|------------|------------|-----------------|----------|---|
| 00 07 172 | 100% | 6,5 W | V24 DC | 54 | 07 01 51 - 07 02 51 - 07 00 16 - 07 00 20 |
| 00 07 173 | 100% | 8 V.A. | V24 / 50 - 60Hz | 54 | 07 01 51 - 07 02 51 - 07 00 16 - 07 00 20 |



DIRECT AND ALTERNATING CURRENT COILS

| Item | Service ED | Absorption | Rated voltage | Weight g |
|---|------------|------------|-----------------|----------|
| 00 07 03 N | 100% | 18 W | V12 DC | 100 |
| 00 07 04 N | 100% | 18 W | V24 DC | 100 |
| 00 07 06 N | 100% | 18 W | V110 DC | 100 |
| For solenoid valves item | | | | |
| 07 01 11 - 07 02 11 - 07 03 11 - 07 04 11 - 07 05 11 - 07 06 11 - 07 08 11 - 07 09 11 | | | | |
| 07 01 16 - 07 02 16 - 07 03 16 | | | | |
| 07 01 20 - 07 02 20 - 07 03 20 | | | | |
| 07 03 40 - 07 04 40 - 07 05 40 - 07 06 40 | | | | |
| 07 03 51 - 07 04 51 - 07 05 51 - 07 06 51 - 07 08 51 - 07 09 51 | | | | |
| DDN 14 - DDN25 - EGN 40 - EGN52 | | | | |
| 00 07 256 N | 100% | 20 V.A. | V24/50 - 60 Hz | 100 |
| 00 07 258 N | 100% | 20 V.A. | V110/50 - 60 Hz | 100 |
| 00 07 259 N | 100% | 20 V.A. | V230/50 - 60 Hz | 100 |
| For solenoid valves item | | | | |
| 07 01 11 - 07 02 11 - 07 03 11 - 07 04 11 - 07 05 11 - 07 06 11 - 07 08 11 - 07 09 11 | | | | |
| 07 01 16 - 07 02 16 - 07 03 16 | | | | |
| 07 01 20 - 07 02 20 - 07 03 20 | | | | |
| 07 03 40 - 07 04 40 - 07 05 40 - 07 06 40 | | | | |
| 07 03 51 - 07 04 51 - 07 05 51 - 07 06 51 - 07 08 51 - 07 09 51 | | | | |
| DDN 14 - DDN 25 - EGN 40 - EGN52 | | | | |