



FO LONG OPERATION AUTONOMY OIL-BATH SUCTION FILTERS

3D drawings are available on vuototecnica.net

In presence of fine or impalpable dust, the traditional suction filter would require a cartridge with a filtering degree so high that, along with reducing its operation autonomy, it would also reduce the vacuum pump suction flow rate.

Oil-bath suction filters have been studied in order to overcome this problem.

The main feature of these filters, in addition to their high autonomy, is their ability to retain the finest suctioned impalpable dusts without reducing the suction flow rate of the pump.

Oil-bath filters are composed of a sheet steel head and container coupled with an interposed seal and clamped by release clamps.

Inside, besides the oil bowl, there are two steel wool filtering cartridges, one of which is detachable and washable, while the other is fixed. The release clamps guarantee easy access for cleaning operations.

Two visual indicators allow monitoring of the oil level and the degree of clogging. They can be used with any kind of oil, even drain oil, as long as it has a minimum viscosity degree. The ideal oil is the same one used for the pump.

Oil-bath suction filters are not recommended for dry vacuum pumps.

They are currently available for 200 and 300 m³/h capacities.

Technical features

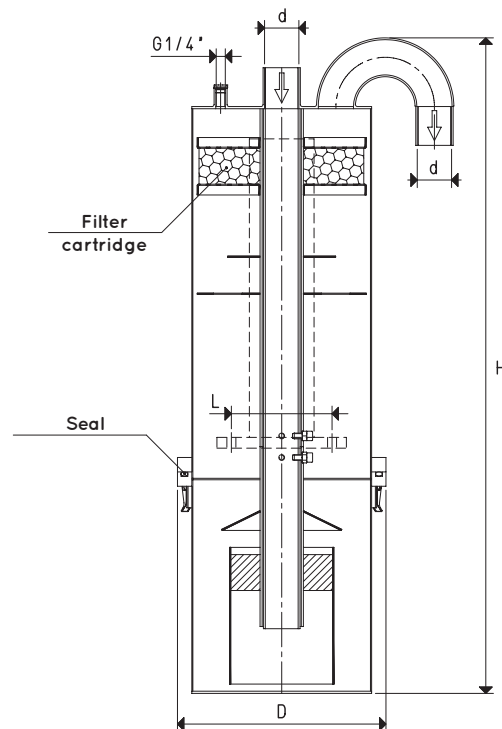
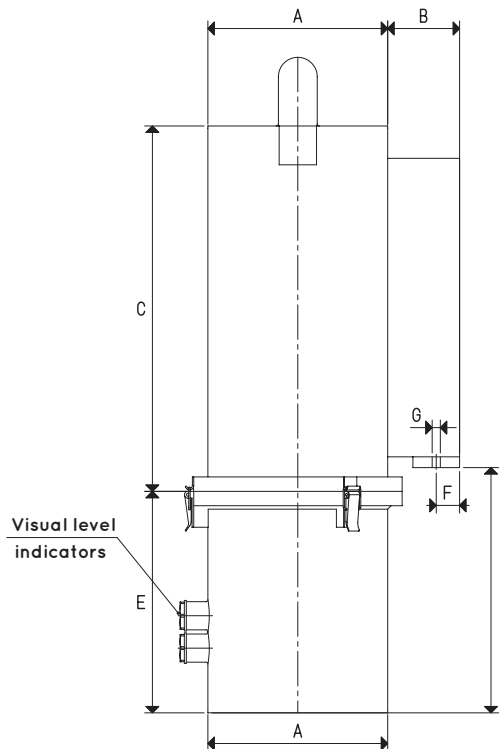
Operating pressure: from 0.5 to 2000 absolute mbar

Temperature of fluid: from -20 to +90°C

Level of filtration: ≤1 μ

Quantity of oil: FO 160 - 6.3 L

FO 300 - 12.5 L



Item	d	A	B	C	D	E	F	G	H	I	L	Flow rate max m ³ /h	Sealing spare part item	Weight Kg
	∅	∅			∅			∅						
FO 160	G1" 1/2	250	100	508	290	308	32.5	12	910	356	140	200	00 FO 30	27
FO 300	G2"	350	80	508	390	308	32.5	12	920	356	200	300	00 FO 29	40

Note: Filter cartridges are washable and therefore do not need to be replaced.

Transformation ratio: N (newton) = Kg x 9.81 (force of gravity)

inch = $\frac{\text{mm}}{25.4}$; pounds = $\frac{\text{g}}{453.6} = \frac{\text{Kg}}{0.4536}$

Adapters for GAS - NPT threading available on page 1.130