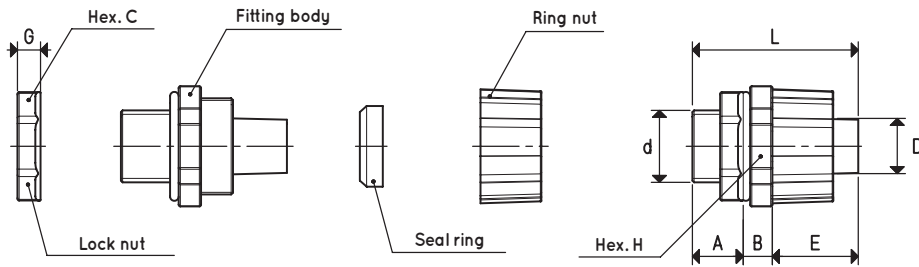
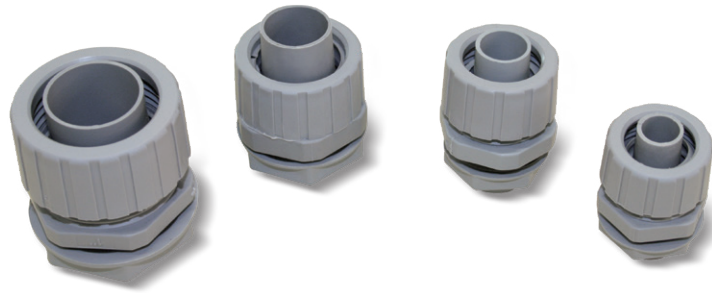




TPR FLEXIBLE HOSE FITTINGS

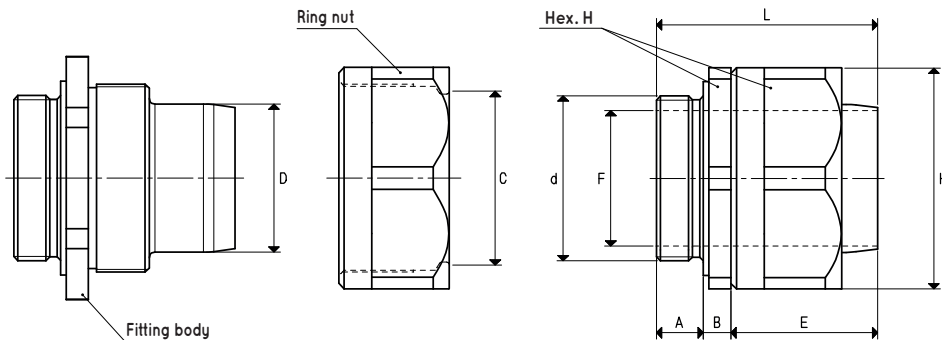
3D drawings are available on vuototecnica.net



RTPR FITTINGS

Item	d Ø	A	B	C	D Ø	E	G	H	L	Material	Colour	Weight g
RTPR 3/8"	G3/8"	14.5	8.5	26	12.0	23.5	6	28	46.5	pvc	grey	12
RTPR 1/2"	G1/2"	14.5	9.0	28	15.5	26.5	7	33	50.0	pvc	grey	18
RTPR 3/4"	G3/4"	14.0	10.5	35	20.8	26.5	9	38	51.0	pvc	grey	26
RTPR 1"	G1"	16.0	9.0	41	26.5	32.5	10	44	57.5	pvc	grey	36

Operating temperature: -10° / +60 °C



RMTPR FITTINGS

Item	d Ø	A	B	C Ø	D Ø	E	F Ø	H	L	Material	For TPR hose	Weight g
RMTPR 1" 1/4	G1" 1/4	13	8	42.7	36.5	33	33	54	54	anodised aluminium	TPR 1" 1/4	360
RMTPR 1" 1/2	G1" 1/2	15	9	48.7	41.8	40	38	62	64	anodised aluminium	TPR 1" 1/2	390
RMTPR 2"	G2"	17	10	60.8	53.5	48	49	80	75	anodised aluminium	TPR 2"	440

Operating temperature: -20° / +60 °C

Transformation ratio: N (newton) = Kg x 9.81 (force of gravity)

inch = $\frac{mm}{25.4}$; pounds = $\frac{g}{453.6} = \frac{Kg}{0.4536}$

Adapters for GAS - NPT threading available on page 1.130