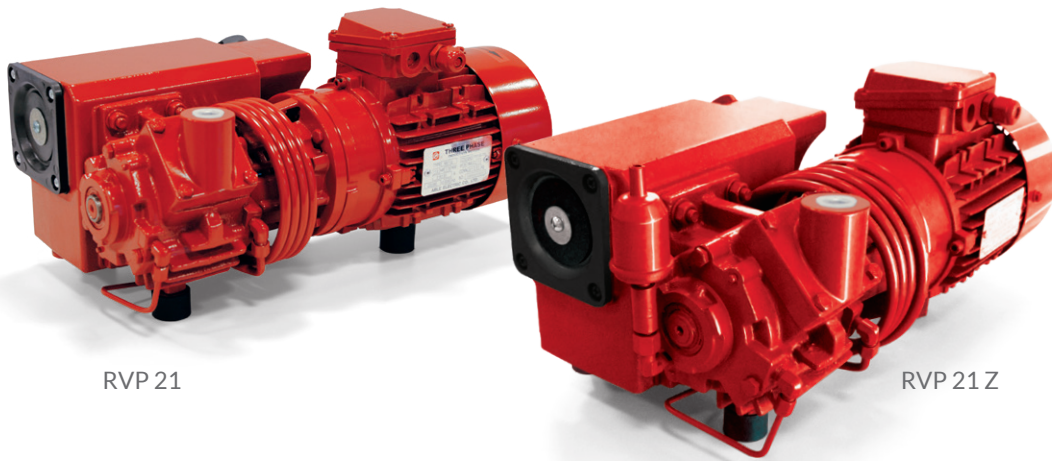




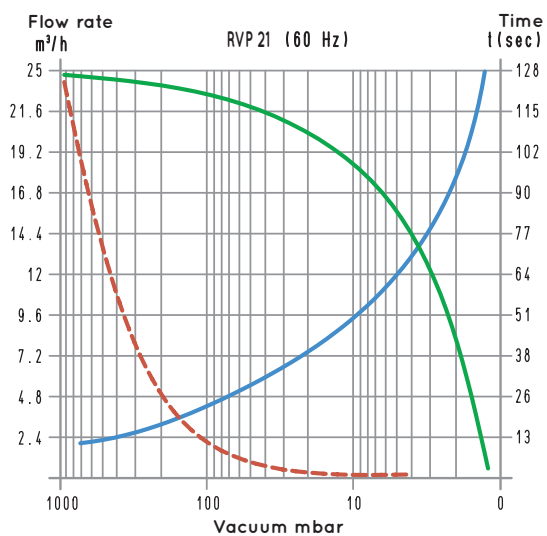
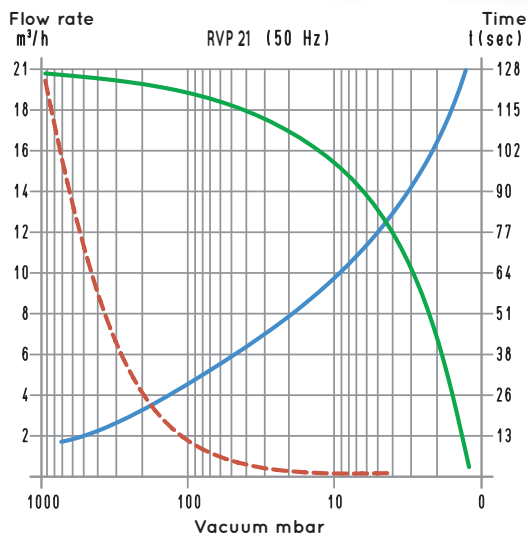
OIL-BATH VACUUM PUMP RVP 21

3D drawings are available on vuototecnica.net



RVP 21

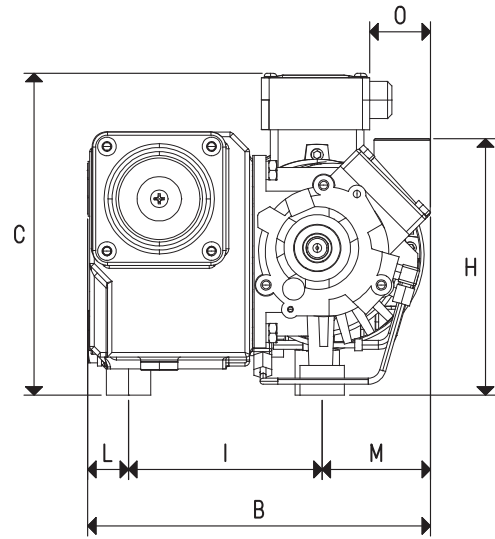
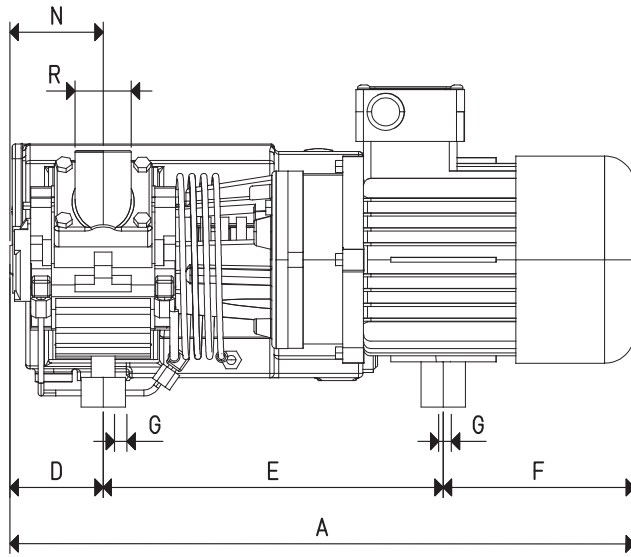
RVP 21Z



To calculate the emptying time of a volume of V_1 , use the following formula: $t_1 = \frac{t \times V_1}{100}$

- Curve relative to the flow rate (referring to the suction pressure)
- - - Curve relative to the flow rate (referring to a 1013 mbar pressure)
- Curve regarding the emptying time of a 100-litre volume

V_1 : Volume to be emptied (l)
 t_1 : time to be calculated (sec)
 t : time obtained in the table (sec)



Item		RVP 21	
Frequency		50 Hz	60 Hz
Flow rate	m ³ /h	21.0	25.0
Final pressure	mbar abs.	1	
Motor performance	3~	230/400 ± 10%	275/480 ± 10%
Volt	1~	230 ± 10%	275 ± 10%
Motor power	3~	0.75	0.90
Kw	1~	0.75	0.90
Motor protection	IP	55	
Rotation speed	g/min ⁻¹	2700	3240
Motor shape		B14	
Motor size		90	
Noise level	dB(A)	64	65
Max weight	3~	18.5	
Kg	1~	19.0	
A		421	
B		232	
C		225	
D		63	
E		230	
F		128	
G	∅	M8	
H		173	
I		131	
L		28	
M		73	
N		62	
O		41	
R	∅ gas	G1/2"	
Accessories and Parts		RVP 21	
Oil charge	L	0.50	
Lubricating oil	type	VT OIL 68	
Deoiling cartridge	item	00 RVP 21 05	
3 vanes	item	00 RVP 21 04	
Sealing kit	item	00 RVP 21 06	
Check valve	item	00 RVP 21 03	
Suction filter	item	FC 20	
Ballast valve	item	00 RVP 21 17	

Note: Add the letter M to the item for a pump supplied with a single-phase electric motor (Example: RVP 21 M).

Add the letter Z to the item for a pump supplied with a ballast valve (Example: RVP 21 Z).