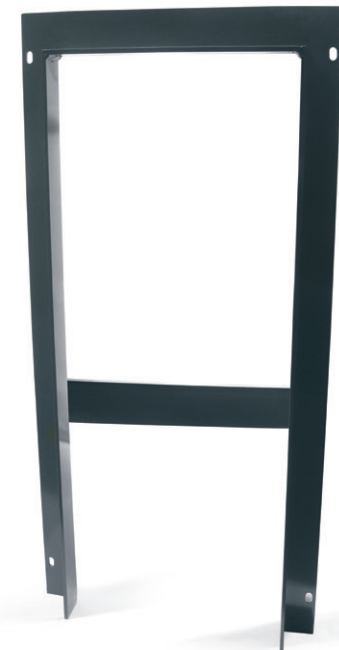
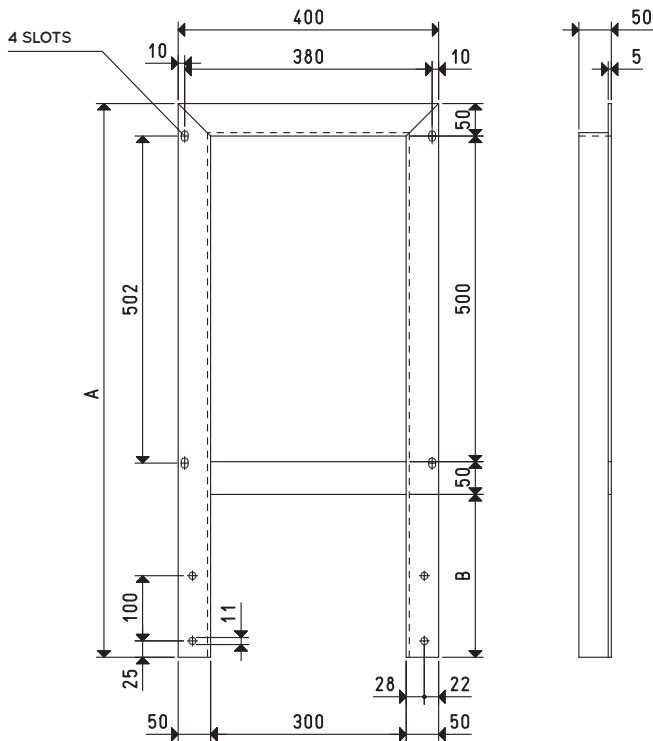


Item	Weight Kg	A	B	C	D	E	F	G	H	I	Fitted for switchgear item
00 DV 16	1.5	300	256	22	300	256	22	3	10	200	DO 100 98V - DO 100 97V
00 DSV 08	5.5	400	380	10	700	502	49	5	10	300	D2V 150 95V - DSO 300 97V
00 DSV 33	7.0	500	480	10	700	602	49	5	10	400	DSO 300 98V - DSV 2000 99V



Item	Weight Kg	A	B	Fitted for switchgear item
00 DSO 07	7.5	850	250	DSO 300 97V
00 DSO 08	9.0	920	430	DSO 300 97V

Transformation ratio: N (newton) = Kg x 9.81 (force of gravity)

$$\text{inch} = \frac{\text{mm}}{25.4}; \text{pounds} = \frac{\text{g}}{453.6} = \frac{\text{Kg}}{0.4536}$$