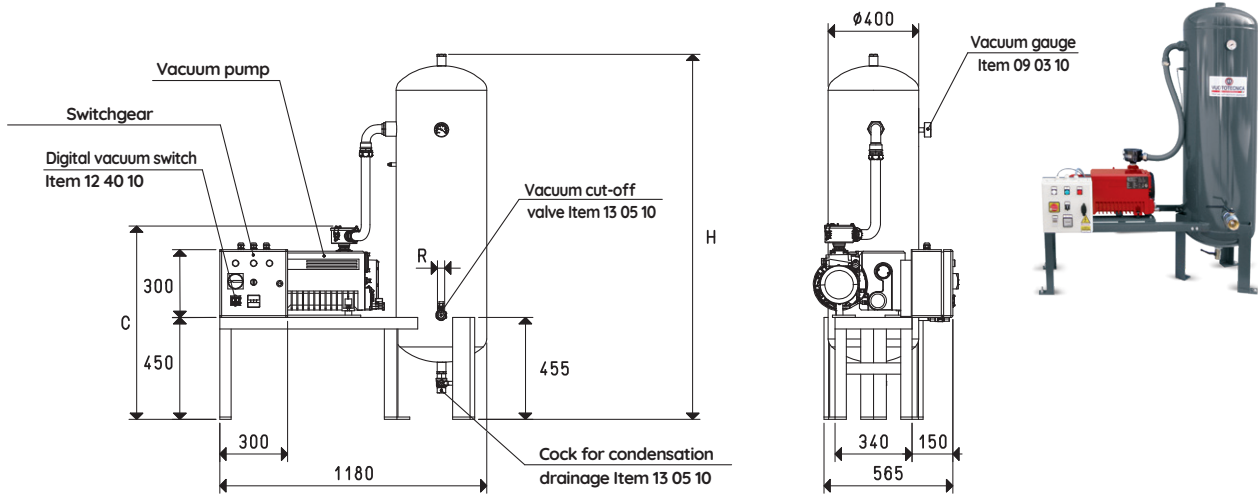


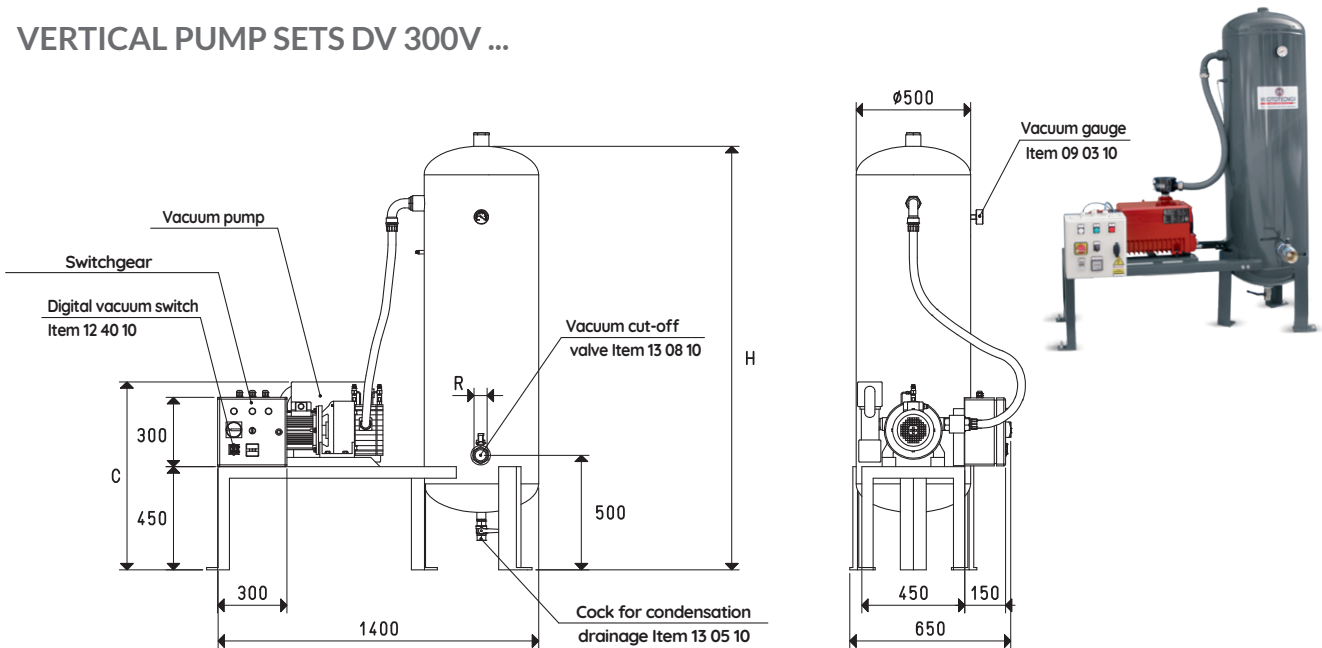
VERTICAL PUMP SETS DV 150V ...



Item	Tank Litres	Pump Mod.	Motor performance Volt	Switchgear item	C	H	R Ø	Weight Kg	Filter Accessories item
DV 150V VTL 25/FG	150	VTL 25/FG	3 ~ 230/400-50Hz	DO 100 97V	730	1600	G1"	103	FB 30 / FC 30
DV 150V VTL 30/FG	150	VTL 30/FG	3 ~ 230/400-50Hz	DO 100 97V	730	1600	G1"	107	FB 30 / FC 30
DV 150V VTL 35/FG	150	VTL 35/FG	3 ~ 230/400-50Hz	DO 100 97V	730	1600	G1"	109	FB 30 / FC 30
DV 150V RVP 40	150	RVP 40	3 ~ 230/400-50Hz	DO 100 97V	816	1600	G1"	120	FB 30 / FC 30
DV 150V VTL 50/G1	150	VTL 50/G1	3 ~ 230/400-50Hz	DO 100 97V	805	1600	G1"	126	FB 30 / FC 30
DV 150V RVP 60	150	RVP 60	3 ~ 230/400-50Hz	DO 100 97V	840	1600	G1"	131	FB 30 / FC 30

Note: All RVP pumps ... are equipped as standard with an FC filter ... suitable for the size of their suction connection.

VERTICAL PUMP SETS DV 300V ...



Item	Tank Litres	Pump Mod.	Motor performance Volt	Switchgear item	C	H	R Ø	Weight Kg	Filter Accessories item
DV 300V RVP 40	300	RVP 40	3 ~ 230/400-50Hz	DO 100 97V	974	1890	G2"	143	FB 60 / FC 60
DV 300V VTL 50/G1	300	VTL 50/G1	3 ~ 230/400-50Hz	DO 100 97V	805	1890	G2"	156	FB 60 / FC 60
DV 300V RVP 60	300	RVP 60	3 ~ 230/400-50Hz	DO 100 97V	998	1890	G2"	161	FB 60 / FC 60
DV 300V RVP 100	300	RVP 100	3 ~ 230/400-50Hz	DO 100 97V	988	1890	G2"	179	FB 60 / FC 60
DV 300V VTL 105/G1	300	VTL 105/G1	3 ~ 230/400-50Hz	DO 100 97V	900	1890	G2"	199	FB 60 / FC 60
DV 300V RVP 160	300	RVP 160	3 ~ 400/690-50Hz	DO 100 97V	1019	1890	G2"	206	FB 60 / FC 60
DV 300V RVP 200	300	RVP 200	3 ~ 400/690-50Hz	DO 100 97V	1019	1890	G2"	209	FB 60 / FC 60

Note: All RVP pumps ... are equipped as standard with an FC filter ... suitable for the size of their suction connection.