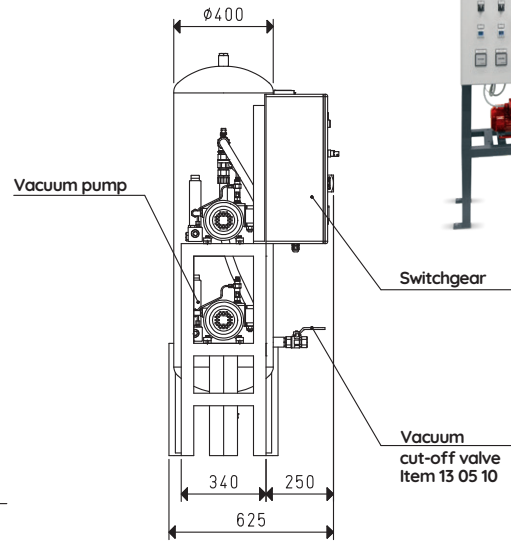
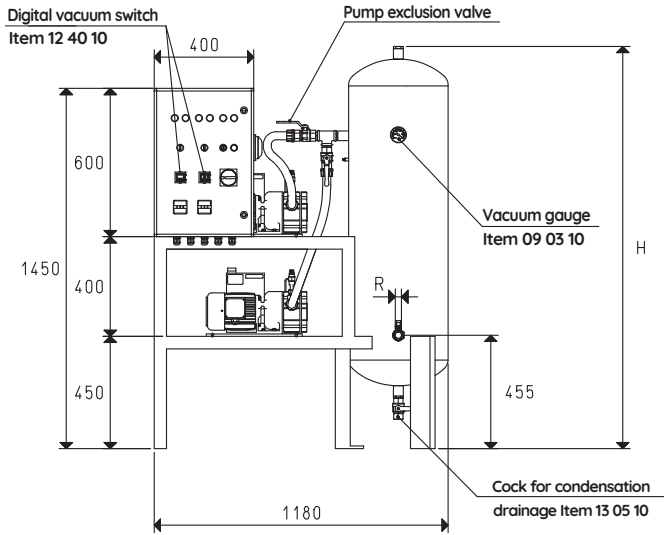




VERTICAL SAFETY PUMP SETS DSV 150V ..

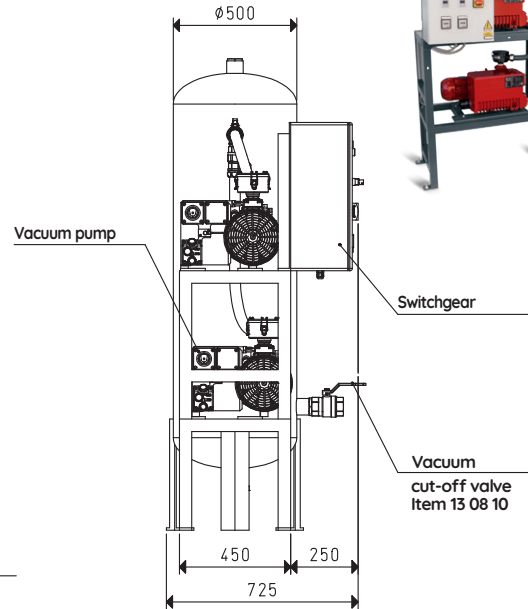
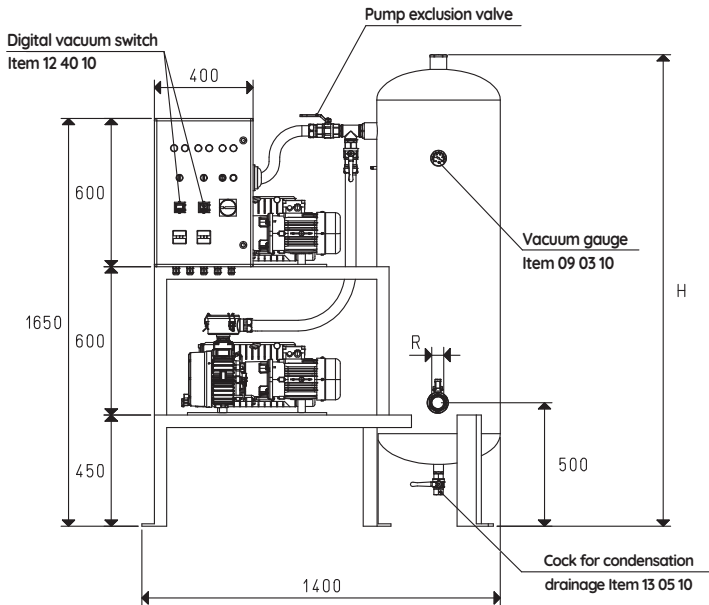
3D drawings are available on vuototecnica.net



Item	Tank Litres	2 Pumps Mod.	Motor performance Volt	Switchgear item	H	R ϕ	Weight Kg	Filter Accessories item
DSV 150V RVP 15	150	RVP 15	3 ~ 230/400-50Hz	DSO 300 97V	1600	G1"	174	FB 30 / FC 30
DSV 150V RVP 21	150	RVP 21	3 ~ 230/400-50Hz	DSO 300 97V	1600	G1"	160	FB 30 / FC 30
DSV 150V VTL 25/FG	150	VTL 25/FG	3 ~ 230/400-50Hz	DSO 300 97V	1600	G1"	168	FB 30 / FC 30
DSV 150V VTL 30/FG	150	VTL 30/FG	3 ~ 230/400-50Hz	DSO 300 97V	1600	G1"	172	FB 30 / FC 30
DSV 150V VTL 35/FG	150	VTL 35/FG	3 ~ 230/400-50Hz	DSO 300 97V	1600	G1"	174	FB 30 / FC 30

Note: All RVP pumps ... are equipped as standard with an FC filter ... suitable for the size of their suction connection.

VERTICAL SAFETY PUMP SETS DSV 300V ..



Item	Tank Litres	2 Pumps Mod.	Motor performance Volt	Switchgear item	H	R ϕ	Weight Kg	Filter Accessories item
DSV 300V RVP 40	300	RVP 40	3 ~ 230/400-50Hz	DSO 300 97V	1890	G2"	223	FB 60 / FC 60
DSV 300V VTL 50/G1	300	VTL 50/G1	3 ~ 230/400-50Hz	DSO 300 97V	1890	G2"	226	FB 60 / FC 60
DSV 300V RVP 60	300	RVP 60	3 ~ 230/400-50Hz	DSO 300 97V	1890	G2"	237	FB 60 / FC 60
DSV 300V RVP 100	300	RVP 100	3 ~ 230/400-50Hz	DSO 300 97V	1890	G2"	246	FB 60 / FC 60
DSV 300V VTL 105/G1	300	VTL 105/G1	3 ~ 230/400-50Hz	DSO 300 97V	1890	G2"	270	FB 60 / FC 60

Note: All RVP pumps ... are equipped as standard with an FC filter ... suitable for the size of their suction connection.

Transformation ratio: N (newton) = Kg x 9.81 (force of gravity)

inch = $\frac{\text{mm}}{25.4}$; pounds = $\frac{\text{g}}{453.6} = \frac{\text{Kg}}{0.4536}$

Adapters for GAS - NPT threading available on page 1.130