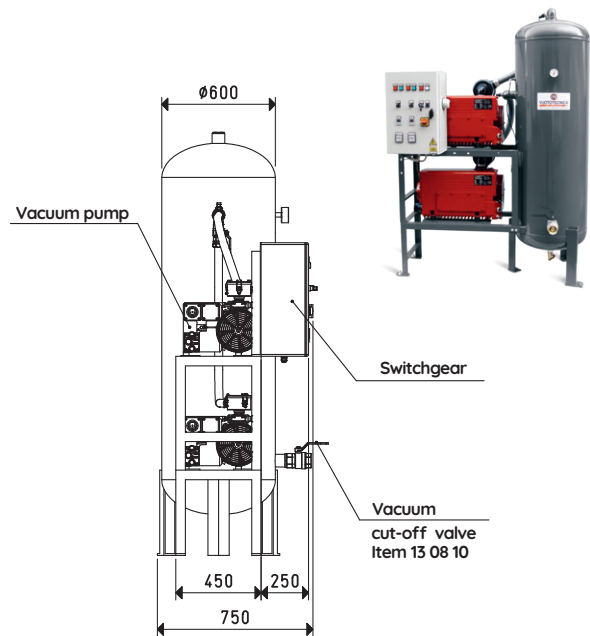
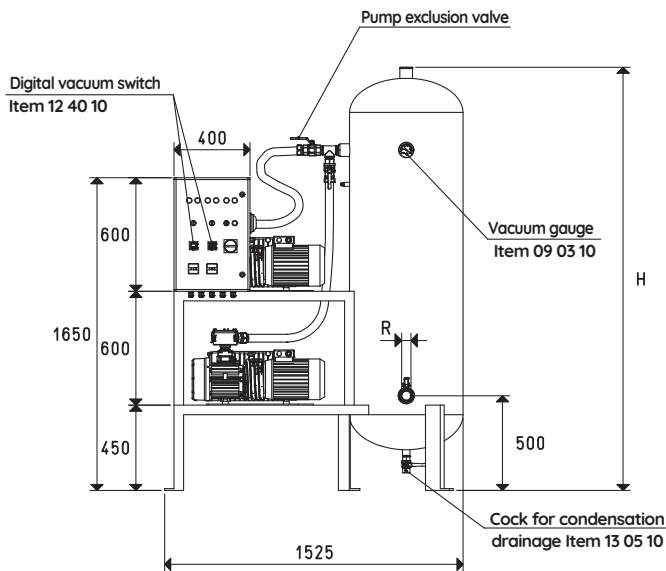




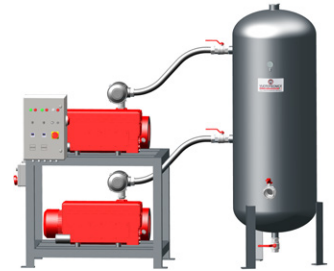
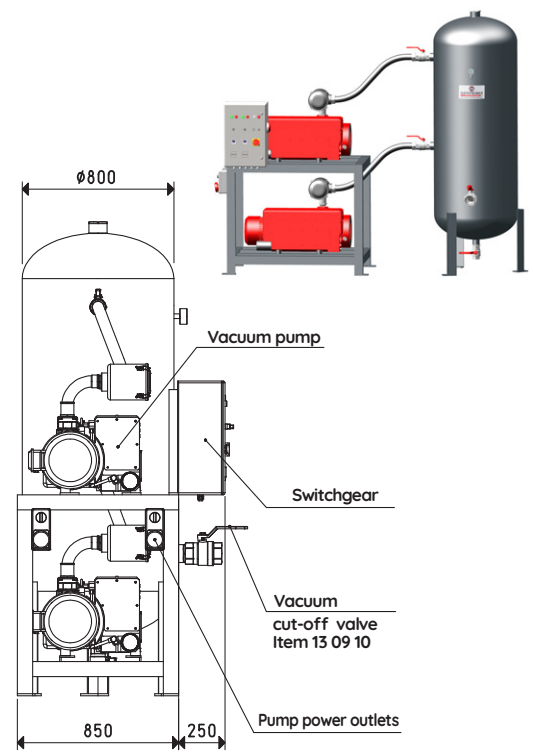
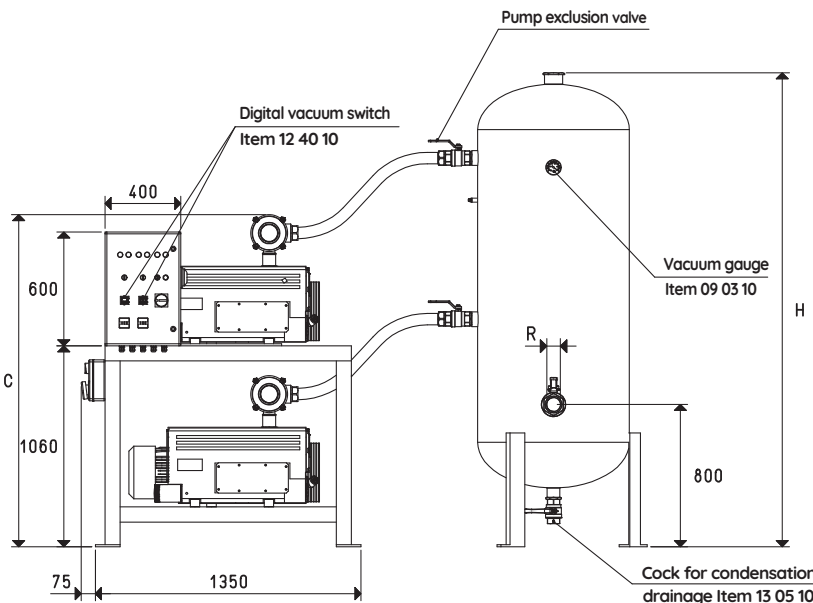
VERTICAL SAFETY PUMP SETS DSV 500V ..



Item	Tank Litres	2 Pumps Mod.	Motor performance Volt	Switchgear item	H	R Ø	Weight Kg	Filter Accessories item
DSV 500V RVP 60	500	RVP 60	3 ~ 230/400-50Hz	DSO 300 97V	2220	G2"	320	FB 60 / FC 60
DSV 500V RVP 100	500	RVP 100	3 ~ 230/400-50Hz	DSO 300 97V	2220	G2"	359	FB 60 / FC 60
DSV 500V VTL 105/G1	500	VTL 105/G1	3 ~ 230/400-50Hz	DSO 300 97V	2220	G2"	396	FB 60 / FC 60
DSV 500V RVP 160	500	RVP 160	3 ~ 400/690-50Hz	DSO 300 97V	2220	G2"	491	FB 60 / FC 60
DSV 500V RVP 200	500	RVP 200	3 ~ 400/690-50Hz	DSO 300 97V	2220	G2"	497	FB 60 / FC 60

Note: All RVP pumps ... are equipped as standard with an FC filter ... suitable for the size of their suction connection.

VERTICAL SAFETY PUMP SETS DSV 1000V ..



Item	Tank Litres	2 Pumps Mod.	Motor performance Volt	Switchgear item	C	H	R Ø	Weight Kg	Filter Accessories item
DSV 1000V RVP 160	1000	RVP 160	3 ~ 400/690-50Hz	DSO 300 97V	1751	2480	G3"	564	FC 80
DSV 1000V RVP 200	1000	RVP 200	3 ~ 400/690-50Hz	DSO 300 97V	1751	2480	G3"	570	FC 80
DSV 1000V RVP 250	1000	RVP 250	3 ~ 400/690-50Hz	DSO 300 97V	1751	2480	G3"	679	FC 80
DSV 1000V RVP 300	1000	RVP 300	3 ~ 400/690-50Hz	DSO 300 97V	1751	2480	G3"	707	FC 80

Note: All RVP pumps .. are equipped as standard with an FC filter .. suitable for the size of their suction connection.

Transformation ratio: N (newton) = Kg x 9.81 (force of gravity)

inch = $\frac{mm}{25.4}$; pounds = $\frac{g}{453.6} = \frac{Kg}{0.4536}$

Adapters for GAS - NPT threading available on page 1.130