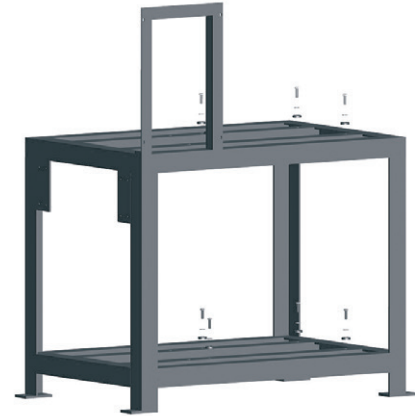
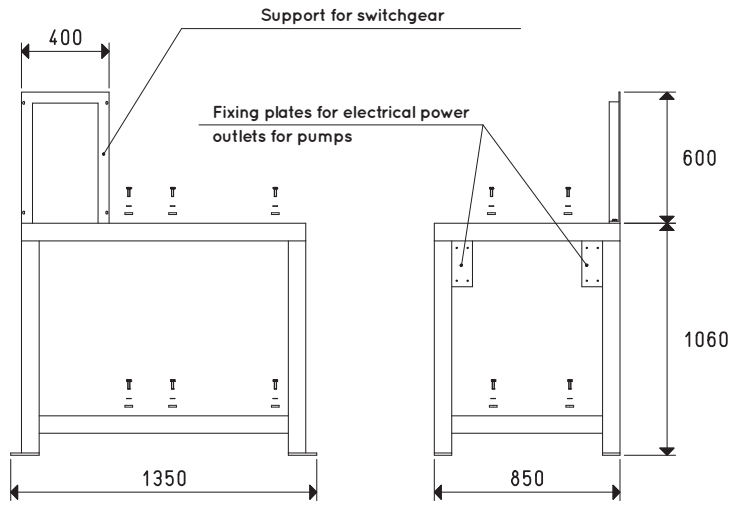


## SUPPORT FRAMES FOR TWO VACUUM PUMPS AND SWITCHGEAR

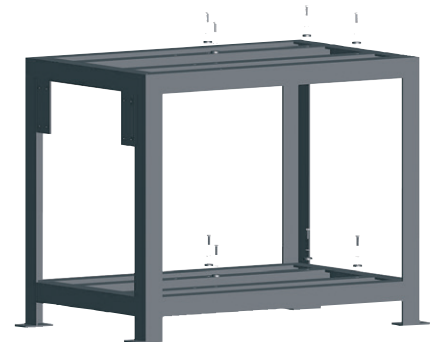
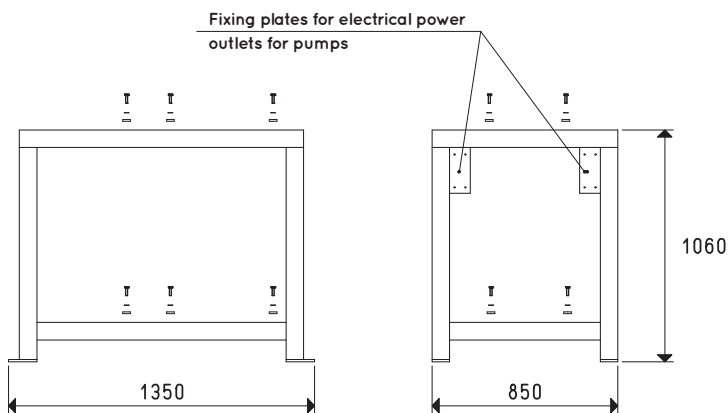
This frame is made with profiled steel and varnished with special weather-resistant paints.  
It is suited for assembling two vacuum pumps and their switchgear.



Item	Weight Kg	Fitted for 2 Pumps Mod.	Fitted for switchgear item
<b>00 DSV 16</b>	120	RVP 160 - RVP 200 - RVP 250 - RVP 300	D2V 150 95V DSO 300 97V

## SUPPORT FRAMES FOR TWO VACUUM PUMPS

This frame is made with profiled steel and varnished with special weather-resistant paints.  
It is suited for assembling two vacuum pumps.



Item	Weight Kg	Fitted for 2 Pumps Mod.
<b>00 DSV 18</b>	117	RVP 160 - RVP 200 - RVP 250 - RVP 300