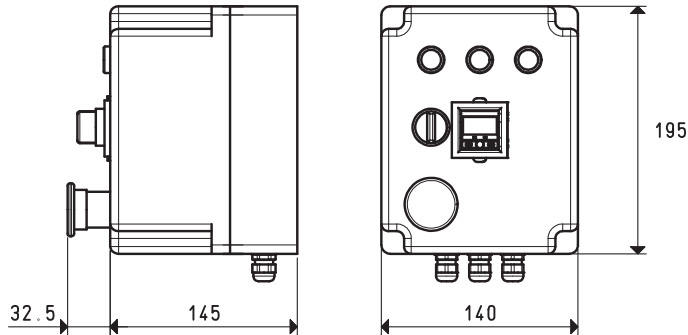




MINI PUMP SET SWITCHGEAR

The mini pump set switchgear is enclosed in a special plastic casing. It can automatically manage a vacuum pump with a maximum power of 5.5 KW with AC and can also maintain the level of vacuum in the tank, set with the digital vacuum switch installed on the control panel. It is equipped with a remote control switch with thermal protection, a fuse, digital vacuum switch, a transformer for low voltage auxiliary auxiliary command, a selector for automatic or manual pump operation, an emergency button and signalling lamps.

3D drawings are available on vuotecnica.net

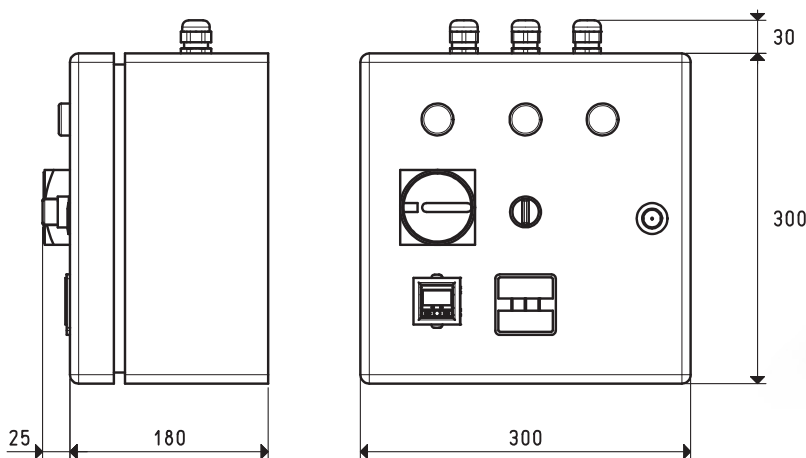


Item	Quantity of pumps No.	Motor performance Volt	Max pump power Kw	Weight Kg
DO 06 98V	1	1 ~ 230-50Hz	5.5	2
DO 06 97V	1	3 ~ 230/400-50Hz	5.5	2

SWITCHGEAR FOR PUMP SETS WITH ONE PUMP

The pump set switchgear is enclosed in a special watertight metal casing and can manage a vacuum pump with a power up to 7.5 KW as well as maintain the level of vacuum in the tank, set with the digital vacuum switch.

It is equipped with a remote control switch with thermal protection, fuses, a transformer for low voltage auxiliary command power supply, a line switch, a changeover switch for the automatic or manual pump operation, an easily-programmable digital vacuum switch suitable for setting and controlling all vacuum functions, an hour-counter for measuring the actual pump operation time and signalling lamps.



Item	Quantity of pumps No.	Motor performance Volt	Max pump power Kw	Weight Kg
DO 100 98V	1	1 ~ 230-50Hz	7.5	8
DO 100 97V	1	3 ~ 230/400-50Hz	7.5	8

Transformation ratio: N (newton) = Kg x 9.81 (force of gravity)

inch = $\frac{\text{mm}}{25.4}$; pounds = $\frac{\text{g}}{453.6} = \frac{\text{Kg}}{0.4536}$