



SINGLE-STAGE VACUUM GENERATORS PVP 2 M, PVP 2 MM1, PVP 2 MM2 and PVP 2 MM3

The vacuum generators on this page are based on the same Venturi principle of those previously described and provide the same technical performance. They however differ in their structure.

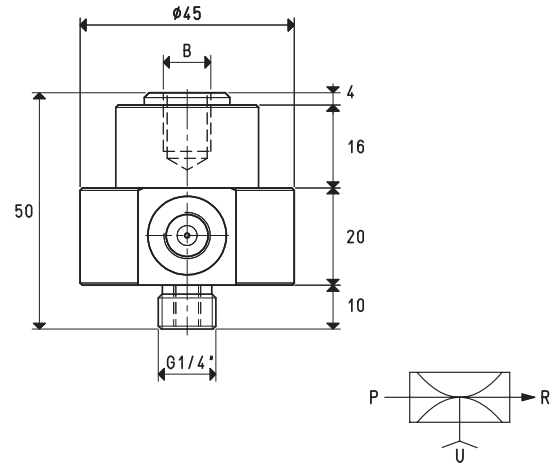
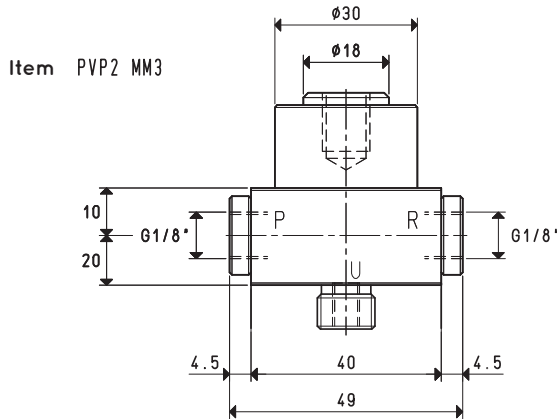
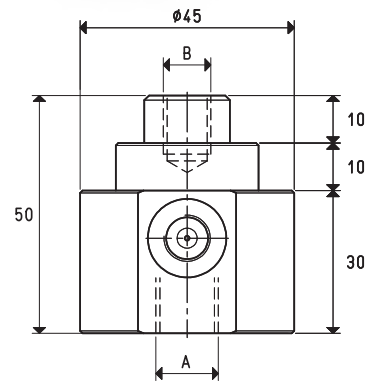
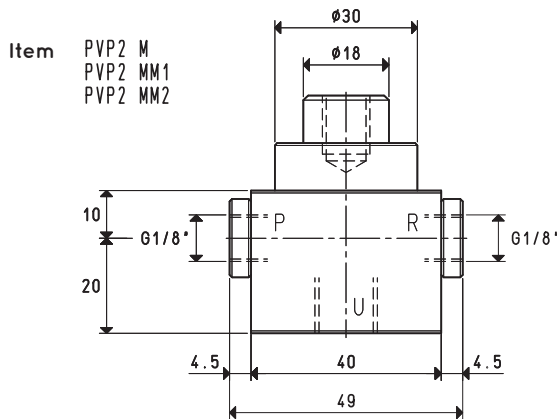
The vacuum connection U is in fact threaded to allow for assembly of a vacuum cup with male or female support while, on the same axis but on the opposite side, a hole with metric threading allows for the generator to be installed directly on the machine or on the cup holders equipped with springing.

They are fully made with anodised aluminium, with brass ejectors. Equipped with a vacuum cup, these are they are truly self-contained gripping units. They are suited for vacuum cup operated loaders or handlers, for gripping sheet steel, glass slabs, plastic panels and other similar products.

Upon request, they can be supplied with a high sound suppression silencer installed on the R exhaust connection.



3D drawings are available on vuototecnica.net



P=COMPRESSED AIR CONNECTION R=EXHAUST U=VACUUM CONNECTION

Item		PVP 2 M			PVP 2 MM1			PVP 2 MM2			PVP 2 MM3		
Intake air flow rate	m ³ /h	2.8	2.9	3.0	2.9	2.9	3.0	2.8	2.9	3.0	2.8	2.9	3.0
Maximum level of vacuum	-KPa	60	70	85	60	70	85	60	70	85	60	70	85
Final pressure	mbar abs.	400	300	150	400	300	150	400	300	150	400	300	150
Supply pressure	bar	4	5	6	4	5	6	4	5	6	4	5	6
Optimal supply pressure	bar			6			6			6			6
Air consumption	NI/s	0.7	0.8	0.9	0.7	0.8	0.9	0.7	0.8	0.9	0.7	0.8	0.9
Operating temperature	°C			-20 / +80			-20 / +80			-20 / +80			-20 / +80
Noise level at optimal supply pressure	dB(A)			78			78			78			78
A				G3/8"			G3/8"			G1/4"			-
B				M10			M12			M10			M10
Weight	g			162			162			162			172

Note: All vacuum values indicated in the table are valid at the normal atmospheric pressure of 1013 mbar and obtained with a constant supply pressure.

Vacuum generator supply must be carried out with non-lubricated compressed air, 5 micron filtration, in accordance with standard ISO 8573-1 class 4.

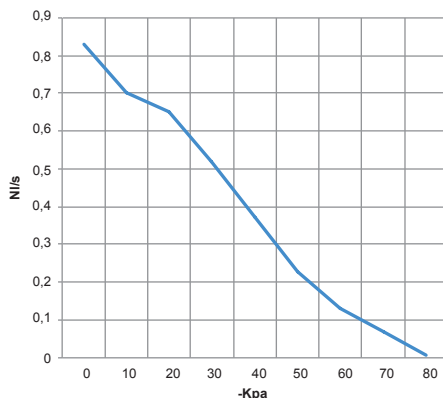
Transformation ratio: N (newton) = Kg x 9.81 (force of gravity)

inch = $\frac{mm}{25.4}$; pounds = $\frac{g}{453.6} = \frac{Kg}{0.4536}$

Adapters for GAS - NPT threading available on page 1.130

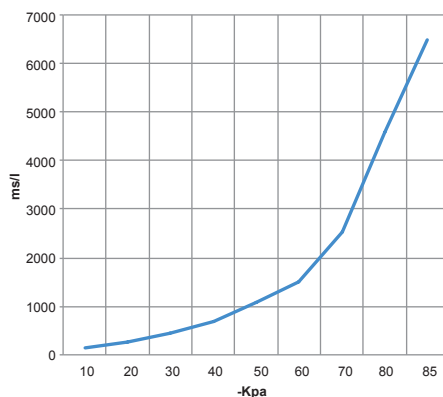


Air flow rate (NI/s) at different level of vacuum (-KPa) at optimal supply pressure



Generator item	Supp. press. bar	Air consumption NI/s	Air flow rate (NI/s) at different levels of vacuums (-KPa) at optimal supply pressure										Max vacuum -KPa
			0	10	20	30	40	50	60	70	80		
PVP 2 M	6.0	0,9	0.83	0.70	0.65	0.52	0.37	0.23	0.13	0.07	--	85	
PVP 2 MM1	6.0	0,9	0.83	0.70	0.65	0.52	0.37	0.23	0.13	0.07	--	85	
PVP 2 MM2	6.0	0,9	0.83	0.70	0.65	0.52	0.37	0.23	0.13	0.07	--	85	
PVP 2 MM3	6.0	0,9	0.83	0.70	0.65	0.52	0.37	0.23	0.13	0.07	--	85	

Evacuation rates (ms/l = s/m³) at different levels of vacuums (-KPa) at optimal supply pressure



Generator item	Supp. press. bar	Air consumption NI/s	Evacuation rates (ms/l = s/m³) at different levels of vacuums (-KPa) at optimal supply pressure										Max vacuum -KPa
			10	20	30	40	50	60	70	80	85		
PVP 2 M	6.0	0,9	128	257	438	675	1087	1511	2523	4572	6492	85	
PVP 2 MM1	6.0	0,9	128	257	438	675	1087	1511	2523	4572	6492	85	
PVP 2 MM2	6.0	0,9	128	257	438	675	1087	1511	2523	4572	6492	85	
PVP 2 MM3	6.0	0,9	128	257	438	675	1087	1511	2523	4572	6492	85	

ACCESSORIES UPON REQUEST

Silencer item SSX 1/8"

