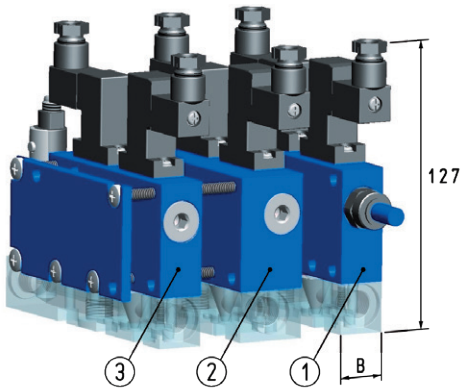




MODULAR VACUUM SYSTEMS SET-UP

GVMM multi-function vacuum generators can be assembled with one or more intermediate modules, thus forming a modular vacuum system, featuring a compact shape and reduced size and weight. As a standard, up to 6 vacuum units can be assembled, but using threaded bars instead allows assembling even more.

3D drawings are available on vuototecnica.net

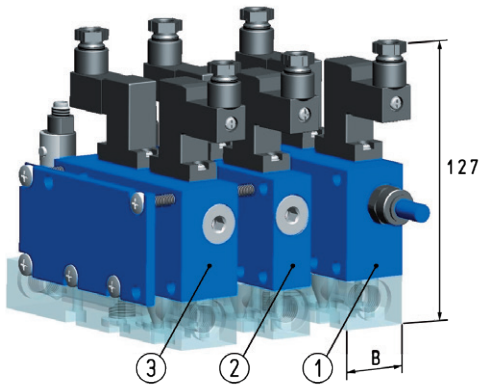
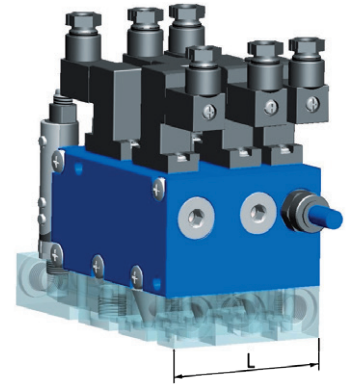


EXAMPLE OF SET-UP 1

No.	Item	B
1	GVMM 3 - 7	20
2	MI 10 - 14	25
3	MI 3 - 7	20

Total length L= 65
Required screw kit: Item 00 KIT GVMM 02

Ordering example:
1 Generator GVMM 3
1 Intermediate module MI 10
1 Intermediate module MI 3
1 kit of stainless steel screws 00 KIT GVMM 02

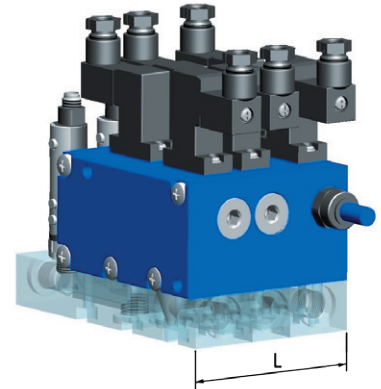


EXAMPLE OF SET-UP 2 00 KIT GVMM 02

No.	Item	B
1	GVMM 10 - 14	25
2	MI 3 - 7	20
3	MI 10 - 14	25

Total length L= 70
Required screw kit: Item 00 KIT GVMM 03

Ordering example:
1 Generator GVMM 10
1 Intermediate module MI 3
1 Intermediate module MI 10
1 kit of stainless steel screws 00 KIT GVMM 03



STAINLESS STEEL M5 SCREW KIT

Item	L
00 KIT GVMM 01	45 - 50
00 KIT GVMM 02	60 - 65
00 KIT GVMM 03	70 - 75
00 KIT GVMM 04	80 - 85
00 KIT GVMM 05	90 - 95
00 KIT GVMM 06	100 - 105
00 KIT GVMM 07	110 - 115
00 KIT GVMM 08	120 - 125
00 KIT GVMM 09	130 - 135
00 KIT GVMM 12	140 - 145
00 KIT GVMM 11	150 - 155

