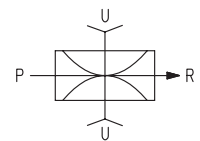
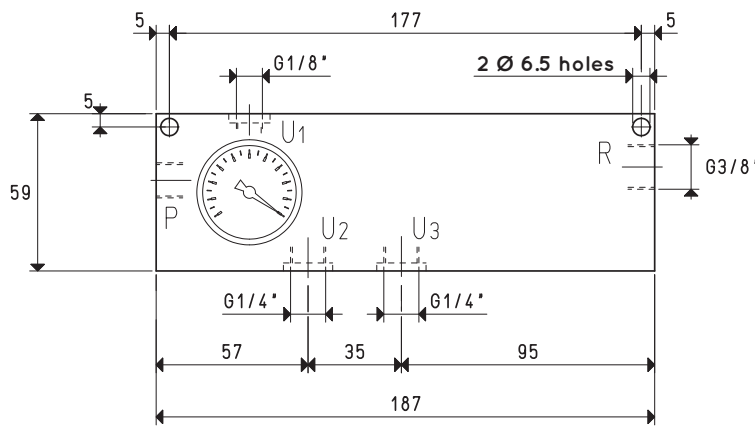
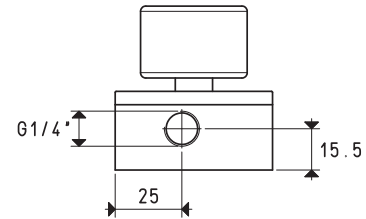
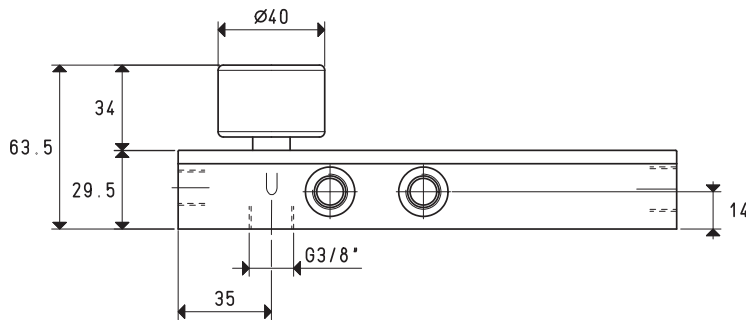


MULTI-STAGE VACUUM GENERATORS PVP 12 MX / MXLP and 25 MX / MXLP



This range of multiple ejector vacuum generators offers increased suction flow rate, given the same compressed air consumption, than single-stage models.

Supply pressure goes between 4-6 bar, for items MX and between 1-3 bar, for MXLP. The capacities go from 10.5 to 31 m³/h. They are fully made with anodised aluminium, with stainless steel ejectors and screws. The EPDM seals, the silicone reed valves and the vacuum gauge are provided as standard. They are equipped with additional intake connections for increased points of usage or control tools. The suctioned air discharge connections are threaded to allow for installation, upon request, of "free-flow" SSX high sound damping silencers



P=COMPRESSED AIR CONNECTION R=EXHAUST U=VACUUM CONNECTION U 1-2-3=ADDITIONAL VACUUM CONNECTION

Item		PVP 12 MX			PVP 12 MXLP		
Intake air flow rate	m³/h	16.0	18.0	21.0	10.5	15.5	18.0
Maximum level of vacuum	-kPa	65	85	90	30	61	86
Final pressure	abs. mbar	350	150	100	700	390	140
Supply pressure	bar	4	5	6	1	2	3
Optimal supply pressure	bar			6			3
Air consumption	NI/s	1.0	1.3	1.5	1.1	1.6	2.3
Temperature of use	°C			-20 / +100			-20 / +100
Noise level at optimal supply pressure	dB(A)			65			79
Weight	g			660			660
Spare parts		PVP 12 MX / MXLP					
Sealing kit and reed valves	item	00 KIT PVP 12 MX					
Sound absorption material for exhaust	item	00 15 112					
Vacuum gauge	item	09 03 15					

Note: All vacuum values indicated in the table are valid at the normal atmospheric pressure of 1013 mbar and obtained with a constant supply pressure.

Vacuum generator supply must be carried out with non-lubricated compressed air, 5 micron filtration, in accordance with standard ISO 8573-1 class 4.

Transformation ratio: N (newton) = Kg x 9.81 (force of gravity)

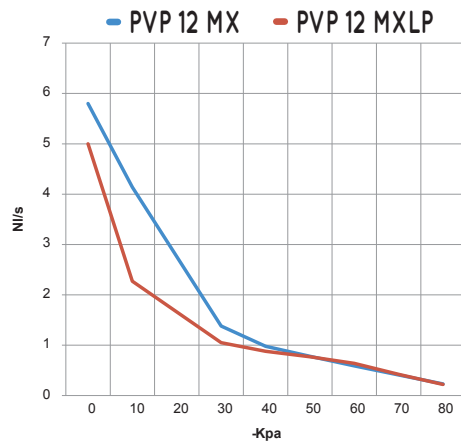
inch = $\frac{\text{mm}}{25.4}$; pounds = $\frac{\text{g}}{453.6} = \frac{\text{Kg}}{0.4536}$

Adapters for GAS - NPT threading available on page 1.130



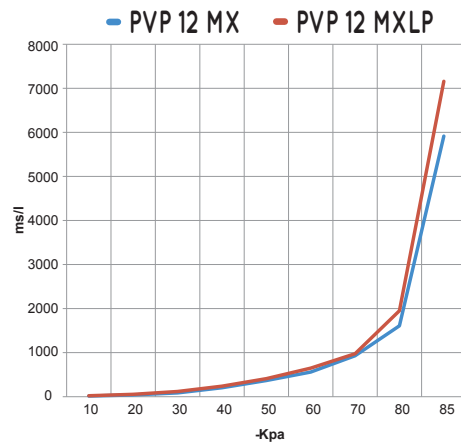
MULTI-STAGE VACUUM GENERATORS PVP 12 MX / MXLP

Air flow rate (NI/s) at different levels of vacuums (-KPa) at optimal supply pressure



Generator item	Supp. press. bar	Air consumption NI/s	Air flow rate (NI/s) at different levels of vacuums (-KPa) at optimal supply pressure										Max vacuum -KPa
			0	10	20	30	40	50	60	70	80		
PVP 12 MX	6.0	1.5	5.80	4.14	2.76	1.38	0.98	0.78	0.59	0.41	0.23	90	
PVP 12 MXLP	3.0	2.3	5.00	2.27	1.66	1.05	0.88	0.77	0.64	0.42	0.22	86	

Evacuation rates (ms/l = s/m³) at different levels of vacuums (-KPa) at optimal supply pressure



Generator item	Supp. press. bar	Air consumption NI/s	Evacuation rates (ms/l = s/m ³) at different levels of vacuums (-KPa) at optimal supply pressure										Max vacuum -KPa
			10	20	30	40	50	60	70	80	85		
PVP 12 MX	6.0	1.5	15	38	85	204	365	559	929	1607	5916	90	
PVP 12 MXLP	3.0	2.3	22	56	120	240	410	650	975	1950	7160	86	

3D drawings are available on vuototecnica.net

ACCESSORIES UPON REQUEST

Silencer item SSX 3/8"

