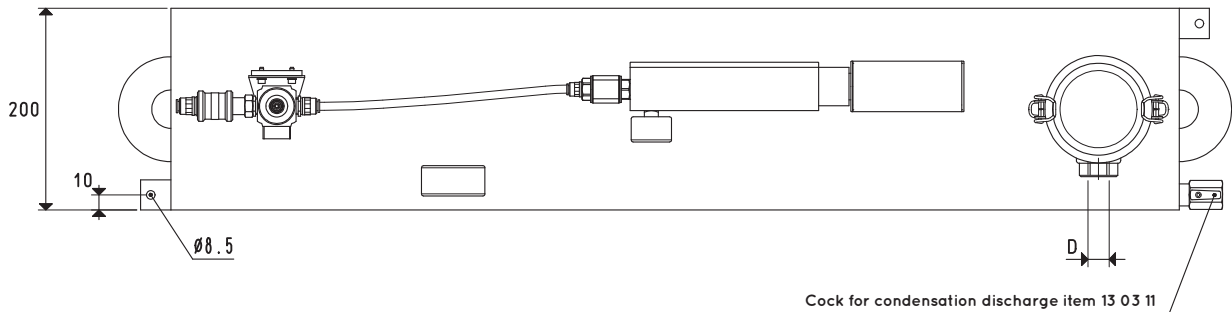
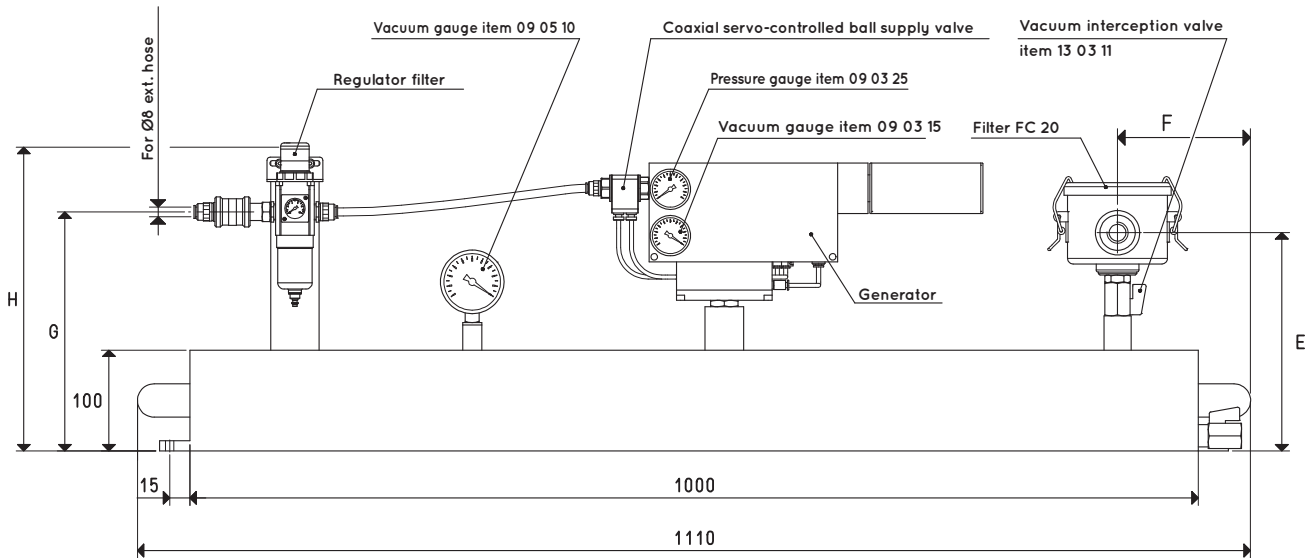


MINI PNEUMATIC PUMP SETS DOP 20

This mini pump set is set apart from the previously ones for the vacuum generator installed, as well as for the tank volume.

Vacuum generators of the series PVP.. MDX ES are in fact equipped with an energy saving device which automatically maintains the preset level of vacuum inside the tank. The other accessories installed, except the vacuum switch and the pneumatically driven valve for vacuum generator supply, are the same installed on DOP 06 and DOP 10. Their intended use is the same as the previously described mini pneumatic pump sets.



Item	Tank	Generator	Pneumatic switchgear	D	E	F	G	H	L	Weight
	Litres	item	item	Ø						Kg
DOP 20 PVP 25 MDX	20	PVP 25 MDX ES	DOP 20 90	G1/2"	225	135	270	340	1110	20.6
DOP 20 PVP 35 MDX	20	PVP 35 MDX ES	DOP 20 90	G1/2"	225	135	270	340	1110	20.7

Note: Vacuum generator supply must be carried out with non-lubricated compressed air, 5 micron filtration, in accordance with standard ISO 8573-1 class 4.