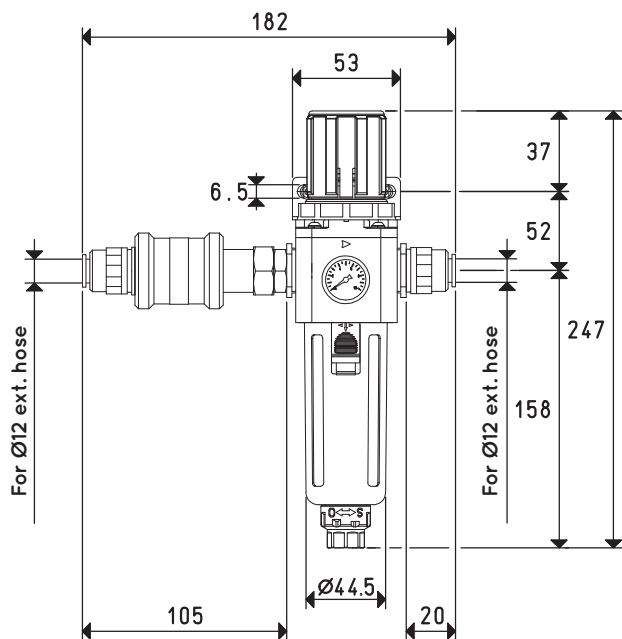




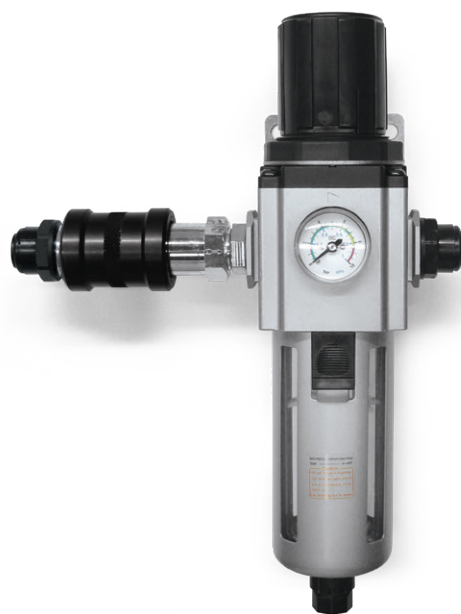
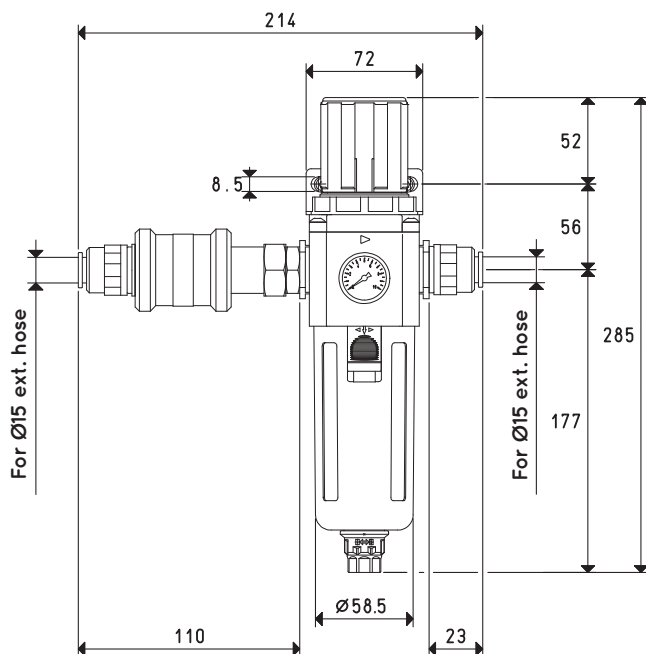
PNEUMATIC DEVICES FOR THE POWER SUPPLY OF PNEUMATIC PUMP SETS DOP 25, DOP 50 and DOP 100

3D drawings are available on vuototecnica.net



Item	Weight Kg	Suitable for generator item
DOP 50 90	0.72	PVP 60 MDX ES - PVP 75 MDX ES

PNEUMATIC DEVICES FOR THE POWER SUPPLY OF PNEUMATIC PUMP SETS DOP 150 and DOP 300



Item	Weight Kg	Suitable for generator item
DOP 150 90	1.2	PVP 150 MDR - PVP 300 MDR

Transformation ratio: N (newton) = Kg x 9.81 (force of gravity)

inch = $\frac{\text{mm}}{25.4}$; pounds = $\frac{\text{g}}{453.6} = \frac{\text{Kg}}{0.4536}$

Adapters for GAS - NPT threading available on page 1.130