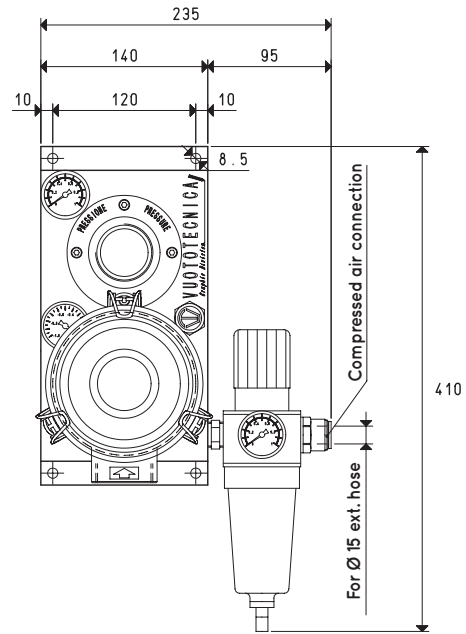
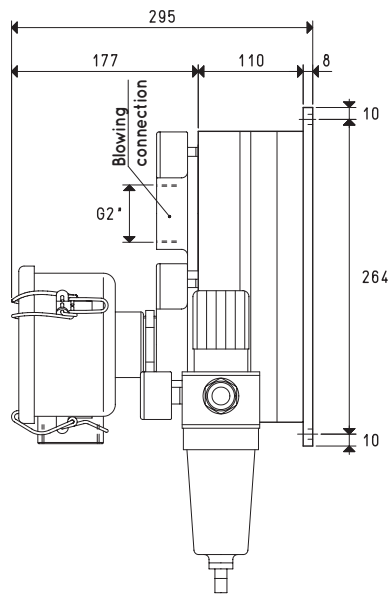




PNEUMATIC BLOWING PUMPS PS 250 and PS 300

3D drawings are available on vuototecnica.net



Item		PS 250					
Supply pressure	bar	1	2	3	4	5	6
Maximum blowing pressure	bar	0.1	0.2	0.3	0.5	0.7	0.8
Air consumption	NI/s	7.5	11.2	15.0	17.3	20.7	24.0
Blown air flow rate	m ³ /h	127	185	244	286	327	366
Weight	Kg	8.2					
Item		PS 300					
Supply pressure	bar	1	2	3	4	5	6
Maximum blowing pressure	bar	0.1	0.2	0.3	0.5	0.7	0.8
Air consumption	NI/s	9.0	13.5	18.1	20.4	24.8	29.0
Blown air flow rate	m ³ /h	138	208	278	313	379	424
Weight	Kg	8.2					
Operating temperature	°C	-20 / +80					

NOTE: All vacuum values indicated in the table are valid at the normal atmospheric pressure of 1013 mbar and obtained with a constant supply pressure.

Vacuum generator supply must be carried out with non-lubricated compressed air, 5 micron filtration, in accordance with standard ISO 8573-1 class 4.

Transformation ratio: N (newton) = Kg x 9.81 (force of gravity)

inch = $\frac{\text{mm}}{25.4}$; pounds = $\frac{\text{g}}{453.6} = \frac{\text{Kg}}{0.4536}$

Adapters for GAS - NPT threading available on page 1.130