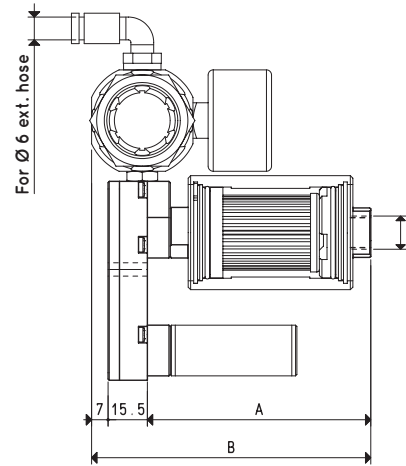
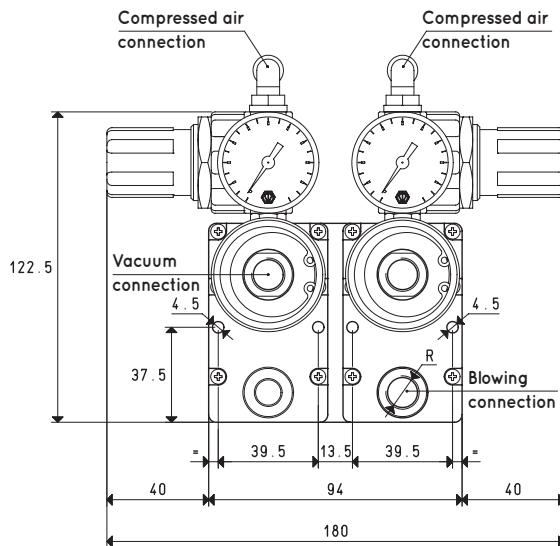
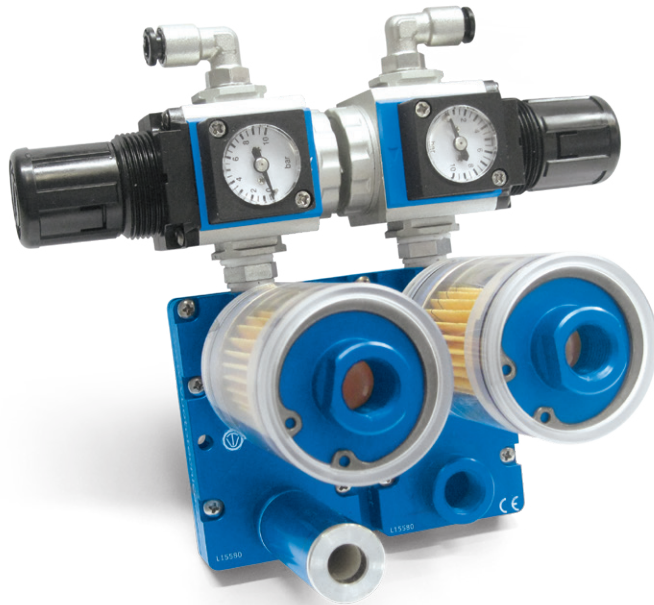




SMALL COMBINED PNEUMATIC SUCTION PUMPS PA AND BLOWING PUMPS PS PA 3 ÷ 7 WITH PS 3 ÷ 7

All the small pneumatic suction and blowing pumps previously described can be combined regardless of their suction or blowing flow rate.

Given the enormous number of possible combinations, for space reasons, this catalogue only describes combinations of pumps with the same size.



Item		PA 3				
Supply pressure	bar	1	2	3	4	5
Maximum level of vacuum	-KPa	20	42	62	80	85
Air consumption	NI/s	0.2	0.4	0.5	0.7	0.8
Intake air flow rate	m ³ /h	2.0	2.5	3.0	3.4	3.6
A				88		
B				110.5		
R	Ø			G1/4"		
Weight	Kg			0.45		
Item		PA 7				
Supply pressure	bar	1	2	3	4	5
Maximum level of vacuum	-KPa	20	42	62	80	85
Air consumption	NI/s	0.4	0.6	0.8	1.2	1.4
Intake air flow rate	m ³ /h	3.0	4.0	5.4	5.8	6.2
A				88		
B				110.5		
R	Ø			G3/8"		
Weight	Kg			0.46		
Operating temperature	°C	-20 / +80				

Item		PS 3				
Supply pressure	bar	1	2	3	4	5
Maximum blowing pressure	bar	0.1	0.2	0.3	0.5	0.7
Air consumption	NI/s	0.2	0.4	0.5	0.7	0.8
Blown air flow rate	m ³ /h	2.7	3.9	4.8	5.9	6.5
A				88		
B				110.5		
R	Ø			G1/4"		
Weight	Kg			0.44		
Item		PS 7				
Supply pressure	bar	1	2	3	4	5
Maximum blowing pressure	bar	0.1	0.2	0.3	0.5	0.7
Air consumption	NI/s	0.4	0.6	0.8	1.2	1.4
Blown air flow rate	m ³ /h	4.4	6.1	8.2	10.1	11.2
A				88		
B				110.5		
R	Ø			G3/8"		
Weight	Kg			0.45		
Operating temperature	°C	-20 / +80				

NOTE: All vacuum values indicated in the table are valid at the normal atmospheric pressure of 1013 mbar and obtained with a constant supply pressure.

Vacuum generator supply must be carried out with non-lubricated compressed air, 5 micron filtration, in accordance with standard ISO 8573-1 class 4.