

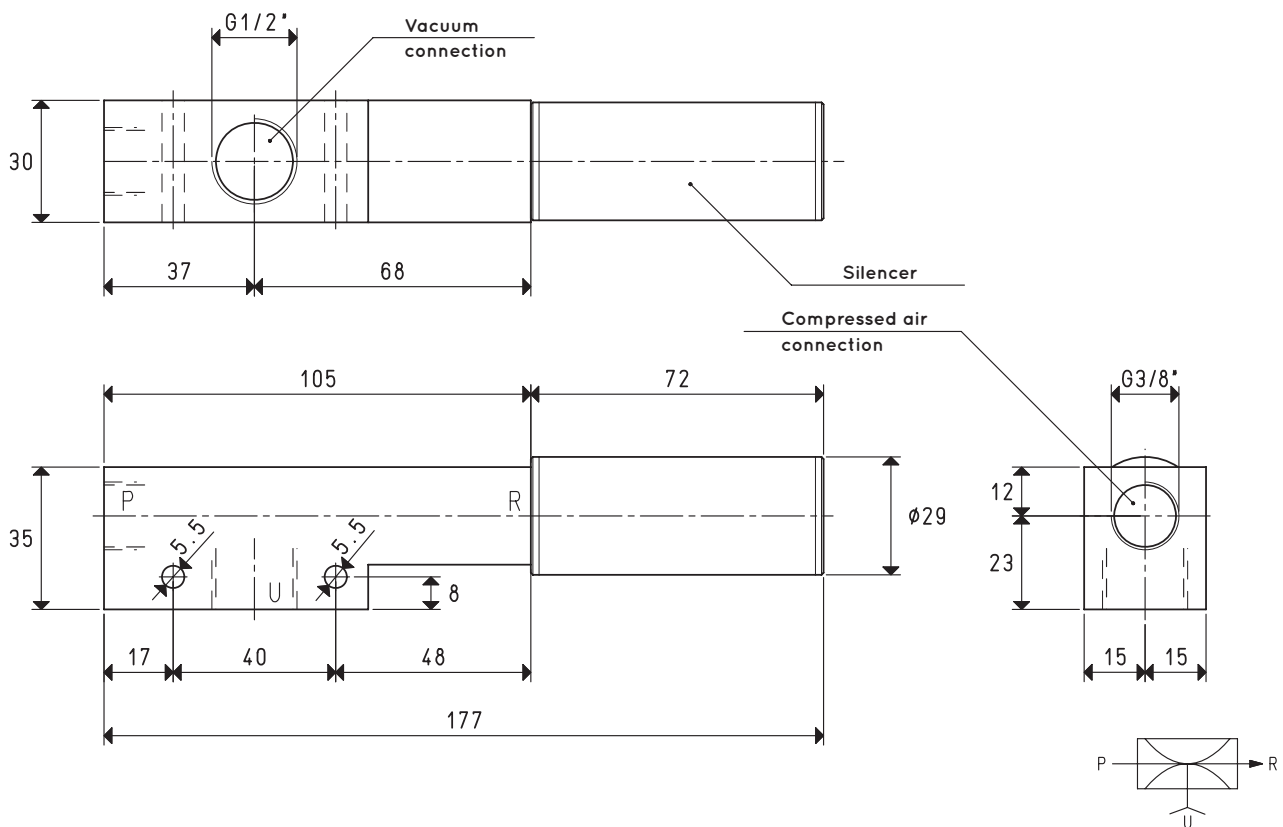
SINGLE-STAGE VACUUM GENERATORS 15 05 08 SX, 15 05 10 SX and 15 07 10 SX



The operation of these single-stage vacuum generators is also based on the Venturi principle. It differs from the generators described above for its increased suction flow rate, lower supply air pressure, lower than 4 bar to obtain the best performance, and for the SSX silencer ... with high acoustic dampening, installed as standard on the R exhaust connection.

They are also used in the automotive sector to control vacuum cups, for the handling and gripping of only slightly porous objects, sheet, wood panel, marble slab and glass and other similar objects.

They are fully made with anodised aluminium.



P=COMPRESSED AIR CONNECTION R=EXHAUST U=VACUUM CONNECTION

Item		15 05 08 SX			15 05 10 SX		
		Intake air flow rate	m ³ /h	8.0	8.6	8.8	12.0
Maximum level of vacuum	-KPa	40	60	90	40	60	90
Final pressure	mbar abs.	600	400	100	600	400	100
Supply pressure	bar	2	3	3.5	2	3	3.5
Optimal supply pressure	bar			3.5			3.5
Air consumption	NI/s	2.8	3.8	4.3	3.7	5	5.5
Operating temperature	°C			-20 / +80			-20 / +80
Noise level at optimal supply pressure	dB(A)			60			63
Weight	g			310			306
Spare parts		15 05 08 SX			15 05 10 SX		
Silencer	item	SSX 3/8"			SSX 3/8"		

Note: All vacuum values indicated in the table are valid at the normal atmospheric pressure of 1013 mbar and obtained with a constant supply pressure.

Vacuum generator supply must be carried out with non-lubricated compressed air, 5 micron filtration, in accordance with standard ISO 8573-1 class 4.

Transformation ratio: N (newton) = Kg x 9.81 (force of gravity)

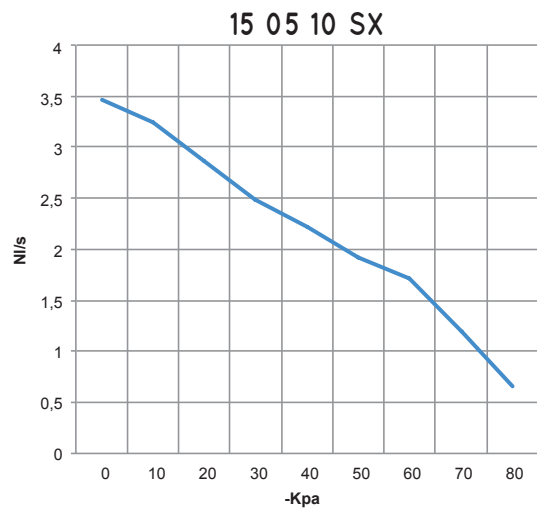
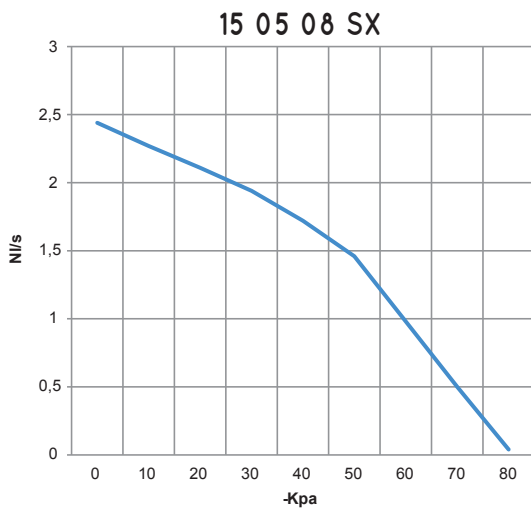
inch = $\frac{\text{mm}}{25.4}$; pounds = $\frac{\text{g}}{453.6} = \frac{\text{Kg}}{0.4536}$

Adapters for GAS - NPT threading available on page 1.130



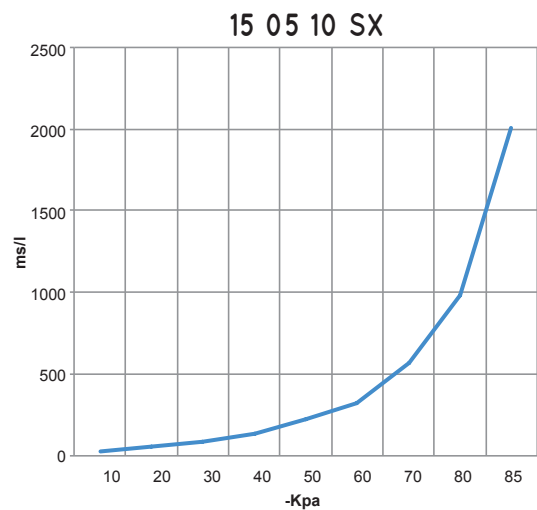
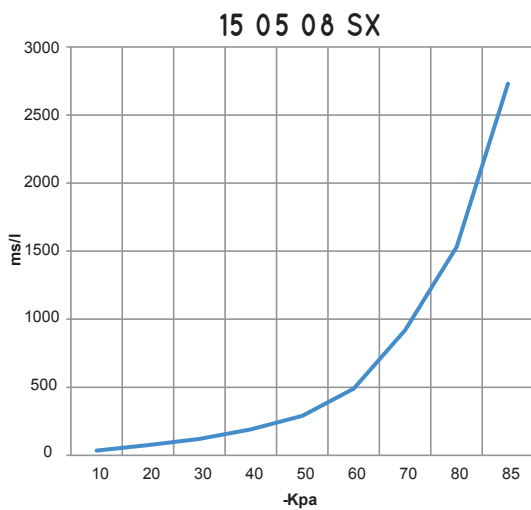
SINGLE-STAGE VACUUM GENERATORS 15 05 08 SX and 15 05 10 SX

Air flow rate (NI/s) at different level of vacuum (-KPa) at optimal supply pressure



Generator item	Supp. press. bar	Air consumption NI/s	Air flow rate (NI/s) at different levels of vacuums (-KPa) at optimal supply pressure										Max vacuum -KPa
			0	10	20	30	40	50	60	70	80		
15 05 08 SX	3.5	4.3	2.44	2.27	2.11	1.94	1.72	1.46	0.98	0.50	0.04	90	
15 05 10 SX	3.5	5.5	3.47	3.24	2.86	2.49	2.22	1.92	1.72	1.20	0.65	90	

Evacuation rates (ms/l = s/m³) at different levels of vacuums (-KPa) at optimal supply pressure



Generator item	Supp. press. bar	Air consumption NI/s	Evacuation rates (ms/l = s/m³) at different levels of vacuums (-KPa) at optimal supply pressure										Max vacuum -KPa
			10	20	30	40	50	60	70	80	85		
15 05 08 SX	3.5	4.3	35	75	120	190	290	490	920	1530	2730	90	
15 05 10 SX	3.5	5.5	25	54	90	140	220	320	570	980	2012	90	